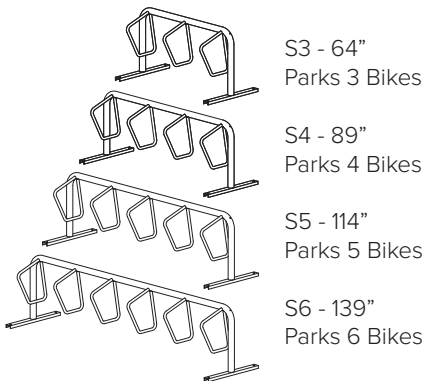


CAPACITY 3-11 Bikes

MATERIALS **Centerbeam:** 3" OD 7 gauge tube
Arms: 1.25" OD 11 gauge tube
 All welds to be continuous MIG welds

- FINISHES**
- Galvanized**
An after fabrication hot dipped galvanized finish is our standard option.
 - Powder Coat**
Our powder coat finish assures a high level of adhesion and durability by following these steps:
 1. Sandblast
 2. Epoxy primer electrostatically applied
 3. Final thick TGIC polyester powder coat
 - Stainless**
Stainless Steel: 304 grade stainless steel material finished in either a high polished shine or a satin finish.
-

- MOUNT OPTIONS**
- Surface**
Foot Mount has 34" x 3" channel feet and can be left freestanding or anchored to the ground. Tamper-resistant fasteners available upon request.
 - In-Ground**
In-ground mount is embedded into concrete base. Specify in-ground mount for this option
-

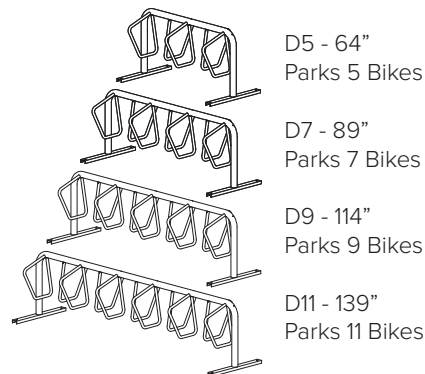


S3 - 64"
Parks 3 Bikes

S4 - 89"
Parks 4 Bikes

S5 - 114"
Parks 5 Bikes

S6 - 139"
Parks 6 Bikes



D5 - 64"
Parks 5 Bikes

D7 - 89"
Parks 7 Bikes

D9 - 114"
Parks 9 Bikes

D11 - 139"
Parks 11 Bikes