



WR32AGBCT
ESSENCE RECEPTACLE
32-gallon bonded aggregate panel receptacle with rounded corners, ashtray, curved top, and bag retainer band

Accessories

- Hold Down Kit **PANELHLD**
- Black Plastic Liner **R-WR32PLR**

- Black Beauty Sand Replacement:
- 5 lb bag **SAND5**
- 10 lb bag **SAND10**
- 25 lb bag **SAND25**
- 50 lb bag **SAND50**

- Ash Sifter 5" diameter **SIFTER**

Material

The 32-gallon receptacle is composed of .5" thick aggregate and epoxy bonded to a hardboard substrate and supported by a non-rusting aluminum frame. The frame and top feature wide rounded corners. The receptacle features a non-rusting curved aluminum top that provides a wide opening to the ashtray while keeping out the elements. The ashtray top lifts off for easy trash removal. The receptacle top also includes a 14" web security strap.

The unit includes a bag-holding retainer band and start-up supply of 5 poly trash bags and a supply of Black Beauty sand substitute.

The receptacle is designed to be portable, allowing for flexibility in placement.

Finish

The aggregate is cast in a durable epoxy resin that remains clear and bright throughout its life.

Color

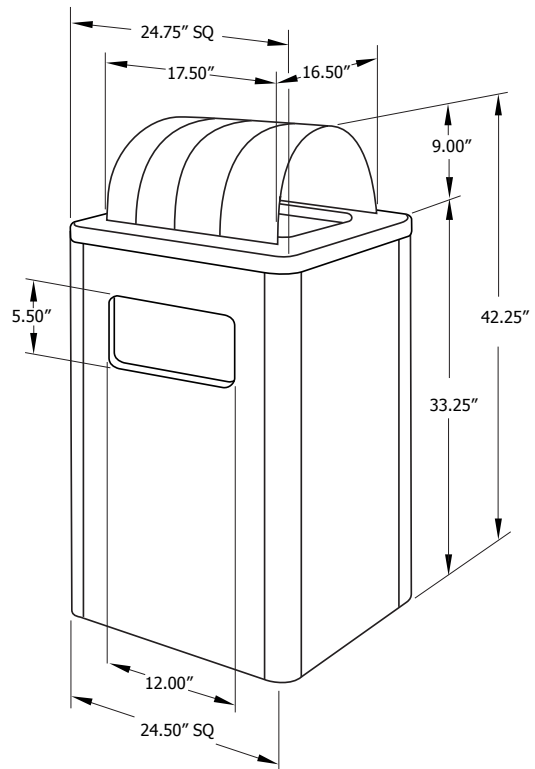
See website or sales representative for color choices.

Assembly

The receptacle arrives fully assembled for immediate use on site.

Maintenance

Maintenance-free. To clean, spray with a power washer.



Shipping Information

Unit Wt.	Unit Shipping Wt. UPS	Unit Shipping Wt. Truck (1+ Units)	Unit Ship Size w/Pallet	Max Units per Pallet	Pallet Wt.	Total No. Pkgs	Shipping Class
156 lbs	N/A	156 lbs/unit	17 cu. ft.	N/A	N/A	1	125