

WR30AGOT 30-Gal. Essence Rounded Corner Trash Receptacle with Open Top

specification sheet



Description
30-gallon rounded corner receptacle with open top, 4 stone panels.

Technical Data
Non-rusting painted Bronze aluminum frame with durable rounded aluminum corners. Stone panels are .5" thick stone and epoxy molded to a hardboard substrate. Open top provides easy trash disposal.

Assembly
Receptacle ships fully assembled.

Availability
Ships in 3 business days on quantities of 6 or less.

Warranty
Five-year warranty from shipping date.

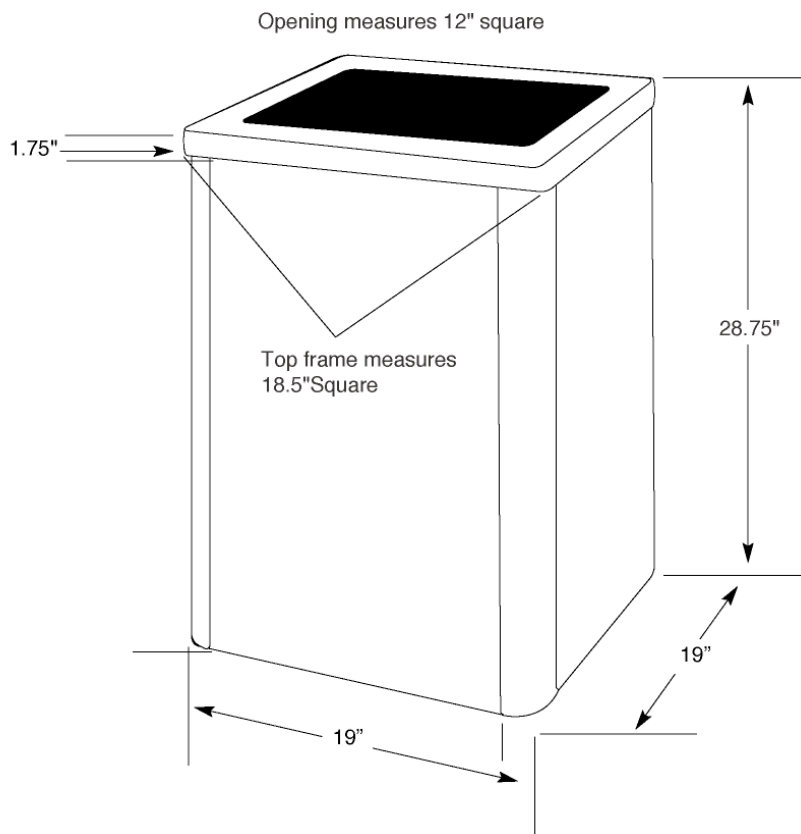
Maintenance
Maintenance free. Won't corrode, crack, splinter, rot or rust. To clean, spray with a power washer.

Options
Stone panels available in Riverrock, Alpine Red, Black Lustre, Golden Glo, or Coffee Bean. Frame available in painted Bronze only.

Included Items
Includes a rigid, reusable plastic liner.

Typical Specification
30-gallon receptacle shall have a non-rusting painted Bronze aluminum frame with durable rounded aluminum corners. Stone panel shall be .5" thick stone and epoxy bonded to a hardboard substrate. Receptacle shall feature a high-density polyethylene open top providing easy trash disposal. Top shall lift off and have a 13" long nylon web security strap.

Receptacle shall ship fully assembled for quick set-up on site.



Model	Panels	Top	Height	Unit Wt.	Ship. Wt.	Cubic Feet	Box Size (H x Sq.)	Shipping Class
WR30AGOT	4 Stone	Open	28.75"	77 lbs.	91 lbs.	10	40" x 20"	125



SiteFurnishings.Indoff.com
(844)433-9610