

## URNAGAC ESSENCE ASH URN

cast aggregate ash urn with  
masonite panels, polyethylene ash  
cover, two openings, and stainless  
steel cover hinge

### Accessories

Hold Down Kit                    **PANELHLD**  
Black Plastic Liner              **R-WR32PLR**

Black Beauty Sand Replacement:

5 lb bag                              **SAND5**  
10 lb bag                            **SAND10**  
25 lb bag                            **SAND25**  
50 lb bag                            **SAND50**

Ash Sifter 5" diameter         **SIFTER**

### Material

The ash urn is made of cast aggregate on masonite panels and a welded steel frame. The top is made of durable polyethylene and features two 1.13" diameter openings for ash disposal. The top has a stainless steel hinge to allow for easy removal of smoking waste. The urn has a sturdy base that is portable for flexibility in placement. The urn is 29" tall.

### Finish

The aggregate is cast in a durable epoxy resin that remains clear and bright throughout its life.

### Color

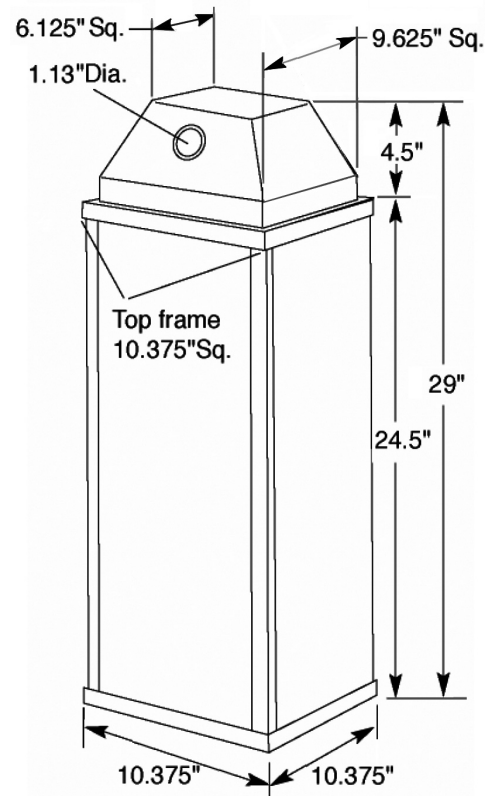
See website or sales representative for color choices.

### Assembly

No assembly is required, the urn arrives assembled and ready for placement and use on site.

### Maintenance

The product is virtually maintenance-free and requires only periodic cleaning with a sponge and a solution of mild detergent and water to remove surface dirt. Do not clean with solvent or petroleum based products.



### Shipping Information

Unit Wt.	Unit Shipping Wt. UPS (1-6 Units)	Unit Shipping Wt. Truck (7+ Units)	Unit Ship Size	Max Units per Pallet	Pallet Wt.	Total No. Pkgs	Shipping Class
43 lbs	47 lbs/unit	47 lbs/unit	4 cu. ft.	N/A	N/A	1	125