

Material

The ash urn is made of cast aggregate on masonite panels and a welded steel frame. The top is made of durable polyethylene and features two 1.13" diameter openings for ash disposal. The top has a stainless steel hinge to allow for easy removal of smoking waste. The urn has a sturdy base that is portable for flexibility in placement. The urn is 29" tall.

Finish

The aggregate is cast in a durable epoxy resin that remains clear and bright throughout its life.

Color

See website or sales representative for color choices.

Assembly

No assembly is required, the urn arrives assembled and ready for placement and use on site.

Maintenance

The product is virtually maintenance-free and requires only periodic cleaning with a sponge and a solution of mild detergent and water to remove surface dirt. Do not clean with solvent or petroleum based products.

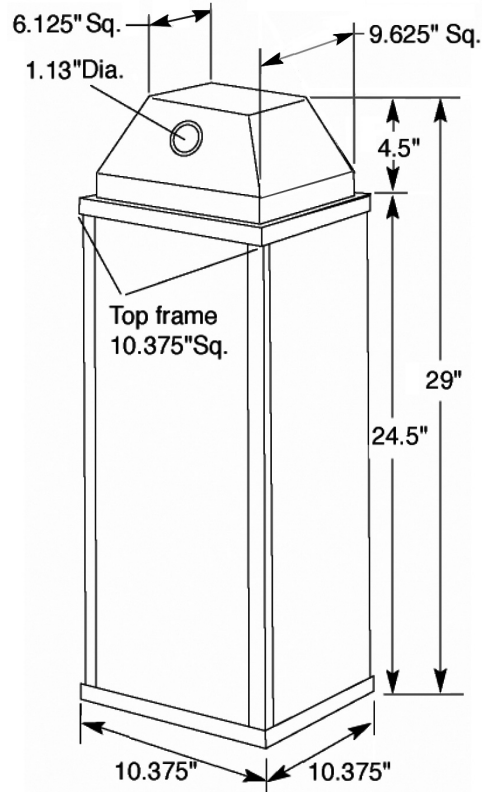
**URNAGAC
ESSENCE ASH URN**
cast aggregate ash urn with masonite panels, polyethylene ash cover, two openings, and stainless steel cover hinge

Accessories

- Hold Down Kit **PANELHLD**
- Black Plastic Liner **R-WR32PLR**

- Black Beauty Sand Replacement:
- 5 lb bag **SAND5**
- 10 lb bag **SAND10**
- 25 lb bag **SAND25**
- 50 lb bag **SAND50**

- Ash Sifter 5" diameter **SIFTER**



Shipping Information

Unit Wt.	Unit Shipping Wt. UPS (1-6 Units)	Unit Shipping Wt. Truck (7+ Units)	Unit Ship Size	Max Units per Pallet	Pallet Wt.	Total No. Pkgs	Shipping Class
43 lbs	47 lbs/unit	47 lbs/unit	4 cu. ft.	N/A	N/A	1	125