



**TSXBEN6**  
**BALANCE FLAT BENCH**  
 flat expanded steel bench with cast aggregate end panels

**Material**

The bench seat is 6' long and made of 3/4 #9 expanded steel with a diamond shape pattern. The seat is plastisol coated with an average thickness of 93 mils (.093") and finished with a high-gloss patented TopCoat®. The bench seat will support 200 lbs per linear foot.

The bench end panels are cast aggregate.

This bench is designed to be portable, allowing for flexibility in placement.

**Finish**

The steel bench features a patented TopCoat, high-gloss finish which resists UV deterioration, mildew, staining and fading.

The TopCoat finish has been tested to the requirements of ASTM E 1354 and is determined to be in compliance with California Uniform Fire Code 1103.2.1.4.2.

The aggregate is cast in a durable epoxy resin that remains clear and bright throughout its life.

**Color**

Stone structures are available in Alpine Red, Black Lustre, Coffee Bean, Golden Glo, Mica, or Riverrock.

Steel bench components are available in Black, Brown, or Green.

**Assembly**

The benches require some assembly.

**Maintenance**

Maintenance-free. To clean, spray with a power washer.

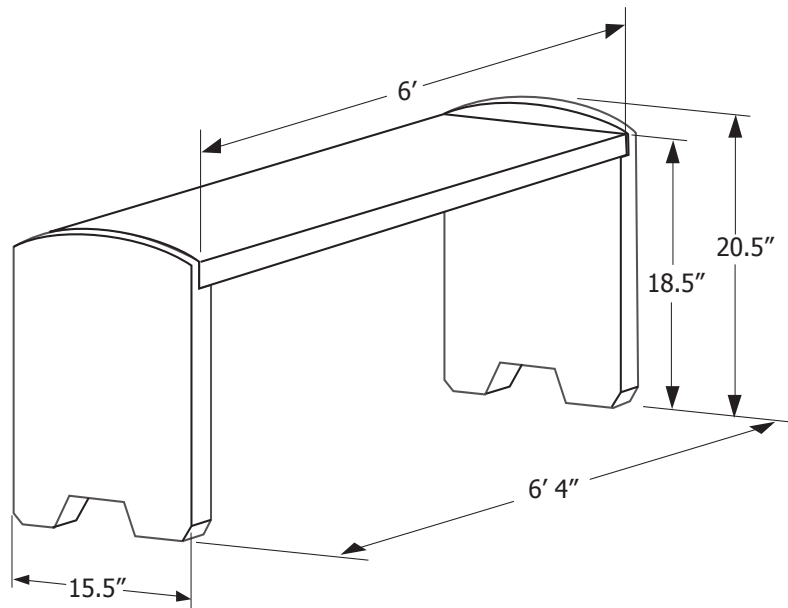
**Warranty**

This product is covered by a 20-year limited structural warranty with a 5-year finish warranty from the date of purchase.

**Accessories**

Hold Down Kit

**PCSHLD**



**Shipping Information**

Unit Wt.	Unit Shipping Wt. UPS	Unit Shipping Wt. Truck (1+ Units)	Unit Ship Size w/Pallet	Max Units per Pallet	Pallet Wt. (36" x 36")	Total No. Pkgs	Shipping Class
179 lbs	(N/A)	221 lbs/unit	17 cu. ft.	1	28 lbs	2	70