



TSBR8P
BALANCE BIKE RACK
 8-bike cast aggregate and steel
 hoop bike rack

Hold Down Kit Accessories PCSHLD

Material

The bike rack is composed of 4" thick cast aggregate end panels and a steel bike rack section protected by a fade resistant powder coat finish featuring a state of the art primer proven to prevent rusting.

The bike rack is 18" wide and is designed to accommodate up to eight bikes. The bike rack is portable, allowing for flexibility in placement.

Finish

Fade-resistant powder coated steel components feature a state-of-the art primer proven to prevent rusting. Treated components exceed the industry standard by 34% in testing by independent sources.

The aggregate is cast in a durable epoxy resin that remains clear and bright throughout its life.

Color

See website or sales representative for color choices.

Assembly

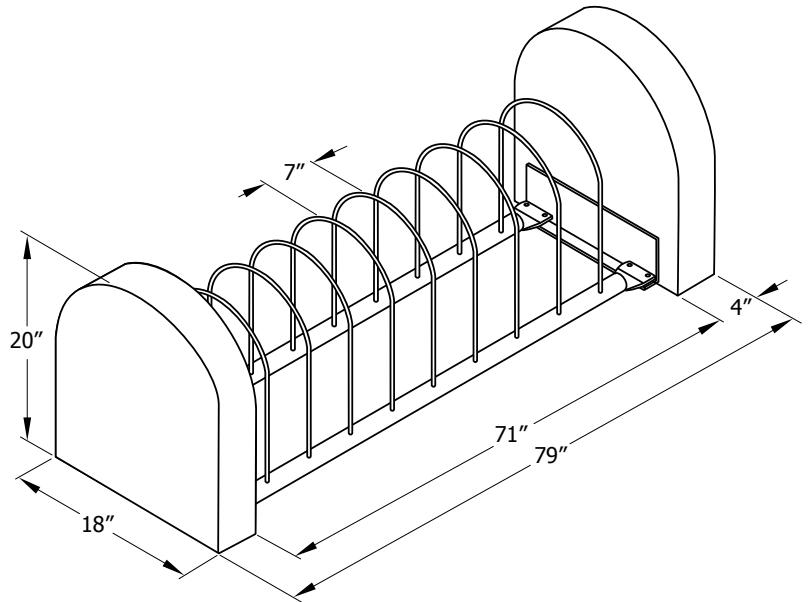
Some assembly is required.

Maintenance

Maintenance-free. To clean, spray with a power washer.

Warranty

5-year limited structural warranty with 7-year finish warranty against fading from the date of purchase. See full details on multi-year warranties for components at www.anovafurnishings.com/warranty.aspx.



Shipping Information

Unit Wt.	Unit Shipping Wt. UPS	Unit Shipping Wt. Truck (1+ Units)	Unit Ship Size w/Pallet	Max Units per Pallet	Pallet Wt. (30" x 30")	Total No. Pkgs	Shipping Class
201 lbs	N/A	240 lbs/unit	27 cu. ft.	1	25 lbs	1	70