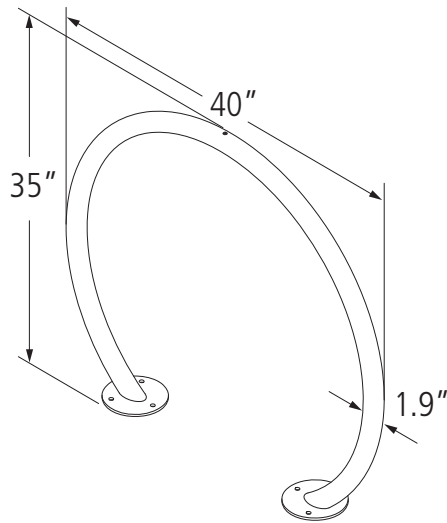


ROUND RACK

Submittal Sheet

Indoff

SiteFurnishings.Indoff.com
(844)433-9610

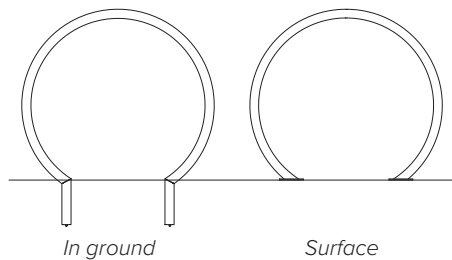


CAPACITY 2 Bikes

MATERIALS 1.5" schedule 40 pipe (1.9" OD)

- FINISHES**
- Galvanized**
An after fabrication hot dipped galvanized finish is our standard option.
 - Powder Coat**
Our powder coat finish assures a high level of adhesion and durability by following these steps:
1. Sandblast
2. Epoxy primer electrostatically applied
3. Final thick TGIC polyester powder coat
 - Thermoplastic**
In addition to an increased thickness (8-10mils), the thermoplastic finish covers a galvanized layer and offers superior impact resistance over powder coating.
 - Stainless**
Stainless Steel: 304 grade stainless steel material finished in either a high polished shine or a satin finish.

- MOUNT OPTIONS**
- In-ground**
In ground mount is embedded into concrete base. Specify in ground mount for this option.
 - Surface**
Foot Mount has two 6" circular feet with three anchors per foot. Specify foot mount for this option.



SETBACKS

