



REGENT

ASH/TRASH WITH WEATHER SHIELD

The Regent decorative refuse outdoor container conveys an environmentally friendly message with Green Gloss trim and lumber-finished slats.

FEATURES AND BENEFITS:

FEATURES

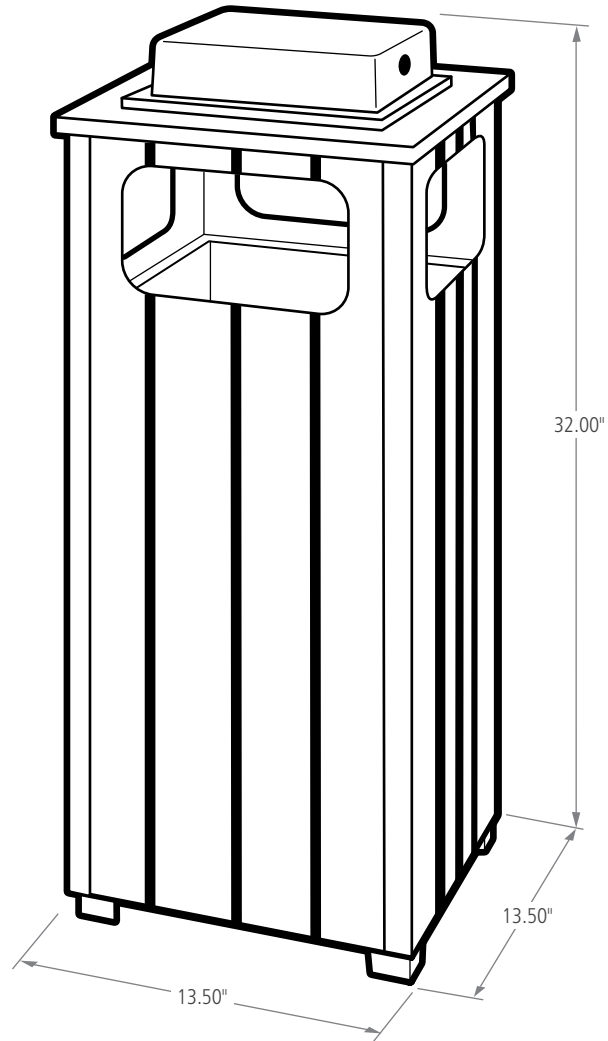
- ▶ Sand pan can be removed from the Ash/Trash style for easy cleaning and waste disposal
- ▶ Heavy-gauge, fire-safe galvanized steel
- ▶ Leak-proof rigid plastic liner included to help contain liquids and keep the surrounding area cleaner
- ▶ Lumber-finished slats constructed of 100% recycled plastic
- ▶ Durable powder coat finish withstands severe weather and resists fading even when exposed to harsh UV rays
- ▶ Adjustable leg levelers create stability on uneven surfaces
- ▶ Shipped fully assembled

ACCESSORIES

- ▶ Anchoring kits
- ▶ Factory-installed lid locks



ADA COMPLIANT



For Pricing visit
SiteFurnishings.Indoff.com
(844) 433-9610
Allen Peterson

GALLONS	LENGTH (in.)	WIDTH (in.)	HEIGHT (in.)
12G	13.50	13.50	32.00

build your own ▶ rubbermaidcommercial.com/customize



REGENT

ASH/TRASH WITH WEATHER SHIELD

▶ STANDARD COLOR OPTIONS



GREEN
GLOSS

SKU #	DESCRIPTION	LINER	COLOR	GALLONS	WEIGHT (lbs.)	LENGTH (in.)	WIDTH (in.)	HEIGHT (in.)
FGR14WU5PLEGN	ASH/TRASH WEATHER SHIELD 45L/12G	PLASTIC	GREEN GLOSS	12	47.00	13.50	13.50	32.00

BUILD YOUR OWN ▶ [RUBBERMAIDCOMMERCIAL.COM/CUSTOMIZE](https://www.rubbermaidcommercial.com/customize)

151289 | 123456

©2016 Rubbermaid Commercial Products LLC
8900 Northpointe Executive Park Drive, Huntersville, NC 28078





REGENT

ASH/TRASH

The Regent decorative refuse outdoor container conveys an environmentally friendly message with Green Gloss trim and lumber-finished slats.

FEATURES AND BENEFITS:

FEATURES

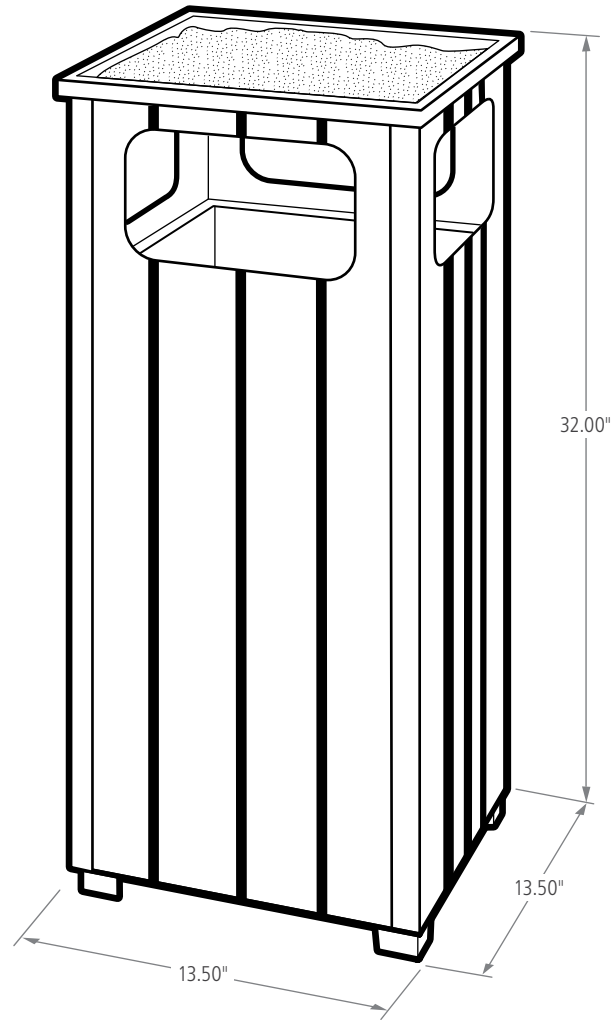
- ▶ Sand pan can be removed from the Ash/Trash style for easy cleaning and waste disposal
- ▶ Heavy-gauge, fire-safe galvanized steel
- ▶ Leak-proof rigid plastic liner included to help contain liquids and keep the surrounding area cleaner
- ▶ Lumber-finished slats constructed of 100% recycled plastic
- ▶ Durable powder coat finish withstands severe weather and resists fading even when exposed to harsh UV rays
- ▶ Adjustable leg levelers create stability on uneven surfaces
- ▶ Shipped fully assembled

ACCESSORIES

- ▶ Anchoring kits
- ▶ Factory-installed lid locks



ADA COMPLIANT



For Pricing visit
SiteFurnishings.Indoff.com
 (844) 433-9610
 Allen Peterson

GALLONS	LENGTH (in.)	WIDTH (in.)	HEIGHT (in.)
12G	13.50	13.50	32.00

build your own ▶ rubbermaidcommercial.com/customize



REGENT

ASH/TRASH

▶ STANDARD COLOR OPTIONS



GREEN
GLOSS

SKU #	DESCRIPTION	LINER	COLOR	GALLONS	WEIGHT (lbs.)	LENGTH (in.)	WIDTH (in.)	HEIGHT (in.)
FGR14SU50PLEGN	REGENT ASH/TRASH 45L/12G	PLASTIC	GREEN GLOSS	12	44.00	13.50	13.50	32.00

BUILD YOUR OWN ▶ [RUBBERMAIDCOMMERCIAL.COM/CUSTOMIZE](https://www.rubbermaidcommercial.com/customize)





REGENT

FLAT TOP

The Regent decorative refuse outdoor container conveys an environmentally friendly message with Green Gloss trim and lumber-finished slats.

FEATURES AND BENEFITS:

FEATURES

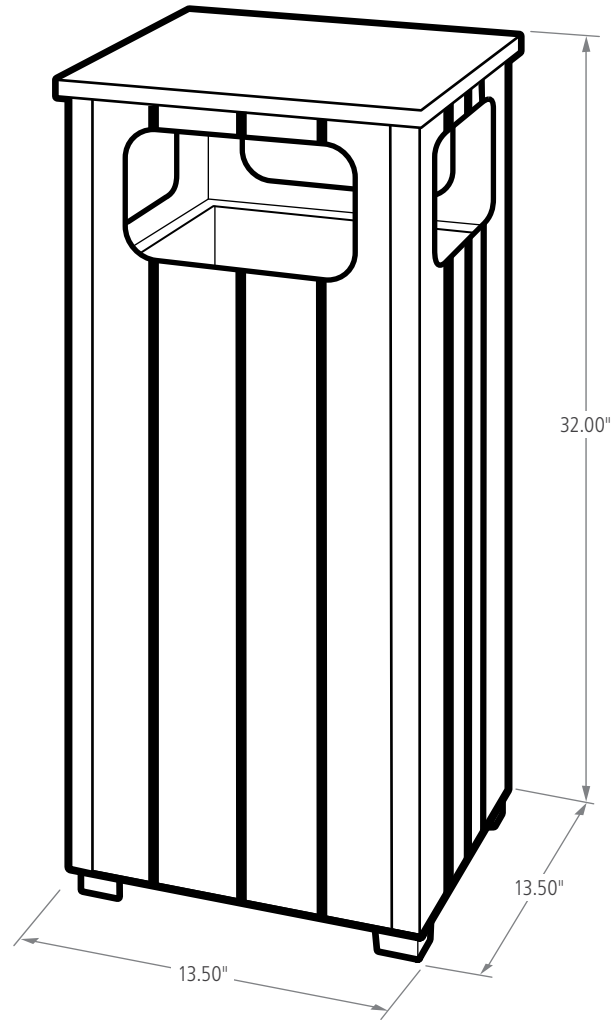
- ▶ Heavy-gauge, fire-safe galvanized steel
- ▶ Leak-proof rigid plastic liner included to help contain liquids and keep the surrounding area cleaner
- ▶ Lumber-finished slats constructed of 100% recycled plastic
- ▶ Durable powder coat finish withstands severe weather and resists fading even when exposed to harsh UV rays
- ▶ Adjustable leg levelers create stability on uneven surfaces
- ▶ Shipped fully assembled

ACCESSORIES

- ▶ Anchoring kits
- ▶ Factory-installed lid locks



ADA COMPLIANT



For Pricing visit
SiteFurnishings.Indoff.com
 (844) 433-9610
 Allen Peterson

GALLONS	LENGTH (in.)	WIDTH (in.)	HEIGHT (in.)
12G	13.50	13.50	32.00

build your own ▶ rubbermaidcommercial.com/customize



REGENT

FLAT TOP

▶ STANDARD COLOR OPTIONS



GREEN
GLOSS

SKU #	DESCRIPTION	LINER	COLOR	GALLONS	WEIGHT (lbs.)	LENGTH (in.)	WIDTH (in.)	HEIGHT (in.)
FGR1450PLEGN	REGENT FLAT TOP 45L/12G	PLASTIC	GREEN GLOSS	12	43.00	13.50	13.50	32.00

BUILD YOUR OWN ▶ [RUBBERMAIDCOMMERCIAL.COM/CUSTOMIZE](https://www.rubbermaidcommercial.com/customize)

151289 | 123456

©2016 Rubbermaid Commercial Products LLC
8900 Northpointe Executive Park Drive, Huntersville, NC 28078





REGENT

HINGED TOP WITH WEATHER SHIELD

The Regent decorative refuse outdoor container conveys an environmentally friendly message with Green Gloss trim and lumber-finished slats.

FEATURES AND BENEFITS:

FEATURES

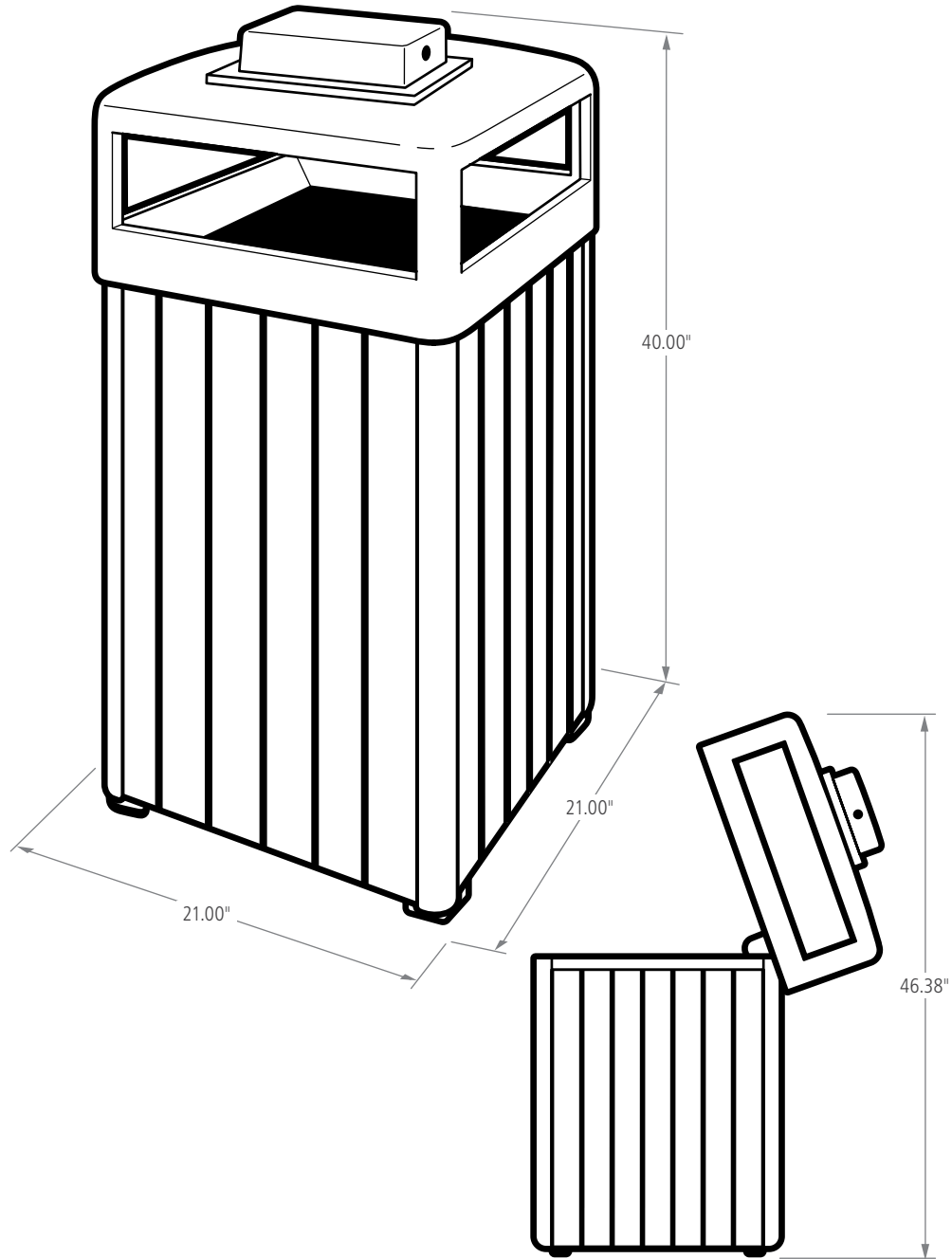
- ▶ Hinged lid enables easy waste removal
- ▶ Heavy-gauge, fire-safe galvanized steel
- ▶ Leak-proof rigid plastic liner included to help contain liquids and keep the surrounding area cleaner
- ▶ Lumber-finished slats constructed of 100% recycled plastic
- ▶ Durable powder coat finish withstands severe weather and resists fading even when exposed to harsh UV rays
- ▶ Adjustable leg levelers create stability on uneven surfaces
- ▶ Shipped fully assembled

ACCESSORIES

- ▶ Anchoring kits
- ▶ Factory-installed lid locks



ADA COMPLIANT



GALLONS	LENGTH (in.)	WIDTH (in.)	HEIGHT (in.)	OPEN HEIGHT (in.)
29G	21.00	21.00	40.00	46.38

For Pricing visit
SiteFurnishings.Indoff.com
 (844)433-9610
 Allen Peterson

build your own ▶ rubbermaidcommercial.com/customize



REGENT

HINGED TOP WITH WEATHER SHIELD

▶ STANDARD COLOR OPTIONS



GREEN
GLOSS

SKU #	DESCRIPTION	LINER	COLOR	GALLONS	WEIGHT (lbs.)	LENGTH (in.)	WIDTH (in.)	HEIGHT (in.)
FGR34HTWU50PLEGN	REGENT HINGED TOP WEATHER URN 109L/29G	PLASTIC	GREEN GLOSS	29	86.00	21.00	21.00	40.00

BUILD YOUR OWN ▶ [RUBBERMAIDCOMMERCIAL.COM/CUSTOMIZE](https://www.rubbermaidcommercial.com/customize)

151289 | 123456

©2016 Rubbermaid Commercial Products LLC
8900 Northpointe Executive Park Drive, Huntersville, NC 28078





REGENT

HINGED TOP

The Regent decorative refuse outdoor container conveys an environmentally friendly message with Green Gloss trim and lumber-finished slats.

FEATURES AND BENEFITS:

FEATURES

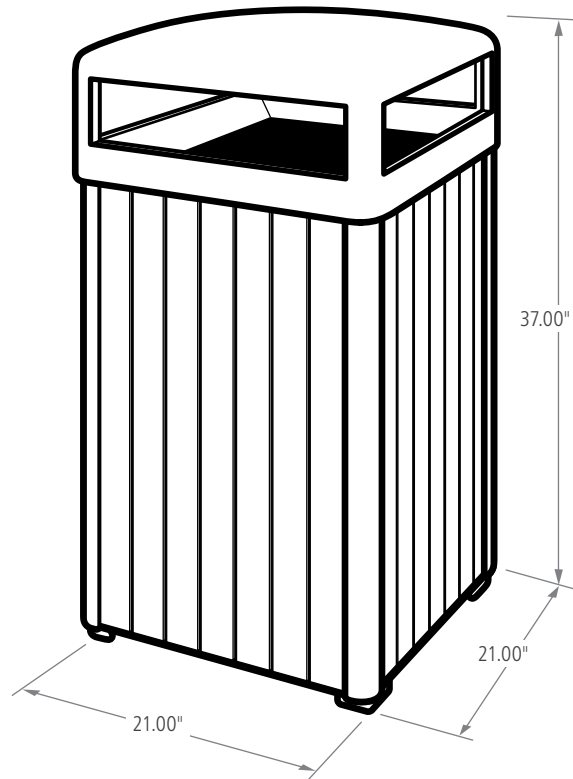
- ▶ Hinged lid enables easy waste removal
- ▶ Heavy-gauge, fire-safe galvanized steel
- ▶ Leak-proof rigid plastic liner included to help contain liquids and keep the surrounding area cleaner
- ▶ Lumber-finished slats constructed of 100% recycled plastic
- ▶ Durable powder coat finish withstands severe weather and resists fading even when exposed to harsh UV rays
- ▶ Adjustable leg levelers create stability on uneven surfaces
- ▶ Shipped fully assembled

ACCESSORIES

- ▶ Anchoring kits
- ▶ Factory-installed lid locks



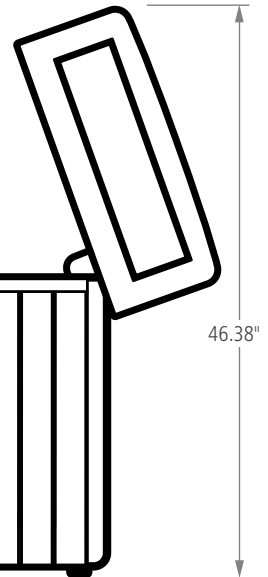
ADA COMPLIANT



37.00"

21.00"

21.00"



46.38"

GALLONS	LENGTH (in.)	WIDTH (in.)	HEIGHT (in.)	OPEN HEIGHT (in.)
29G	21.00	21.00	37.00	46.38

For Pricing visit
SiteFurnishings.Indoff.com
 (844) 433-9610
 Allen Peterson

build your own ▶ rubbermaidcommercial.com/customize



REGENT

HINGED TOP

▶ STANDARD COLOR OPTIONS



GREEN
GLOSS

SKU #	DESCRIPTION	LINER	COLOR	GALLONS	WEIGHT (lbs.)	LENGTH (in.)	WIDTH (in.)	HEIGHT (in.)
FGR34HT50PLEGN	REGENT HINGED TOP 109L/29G	PLASTIC	GREEN GLOSS	29	83.00	21.00	21.00	37.00

BUILD YOUR OWN ▶ [RUBBERMAIDCOMMERCIAL.COM/CUSTOMIZE](https://www.rubbermaidcommercial.com/customize)

