



## RCPWF4 WAINWRIGHT FLAT BENCH

4' recycled plastic flat bench, steel frame and end legs

### Material

The 4' flat bench is constructed of .38" thick x 4" wide formed steel end legs and frame with 1.5" x 3.5" (2" x 4" nominal dimensions) recycled plastic planks for the seat. The steel components are protected by a fade resistant powder coat finish featuring a state of the art primer proven to prevent rusting. The bench is 48" long and will support 200 lbs per linear foot. The frame is portable in design allowing for flexibility in placement and the feet have .5" diameter holes to allow for surface mounting to prevent movement.

### Finish

Fade-resistant powder coated steel components feature a state-of-the art primer proven to prevent rusting. Treated components exceed the industry standard by 34% in testing by independent sources.

The planks are impervious to moisture and corrosion, do not require the application of sealants or preservatives, and will never need painting or staining throughout the product's life.

### Color

The recycled plastic bench is available with Cedar or Mahogany colored planks. The frame and end legs are available in Pewter and Textured Black.

### Assembly

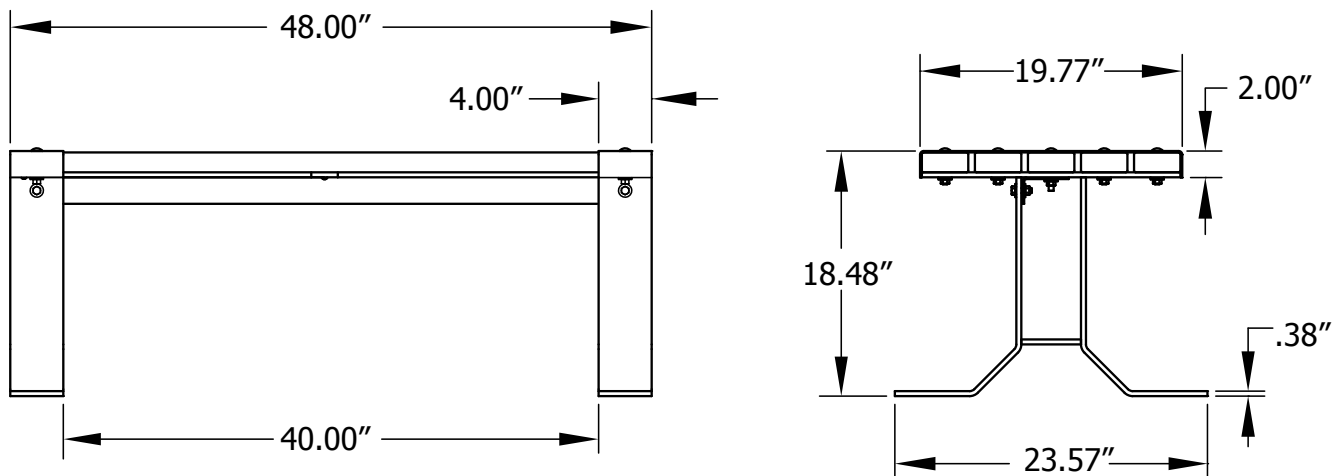
Some assembly is required. Assembly hardware is included.

### Maintenance

The product is virtually maintenance-free and requires only periodic cleaning with a sponge and a solution of mild detergent and water to remove surface dirt. Do not clean with solvent or petroleum based products.

### Warranty

20-year limited structural warranty with 7-year finish warranty from the date of purchase.



### Shipping Information

Unit Wt.	Unit Shipping Wt. UPS	Unit Shipping Wt. Truck (1+ Units)	Unit Ship Size	Max Units per Pallet	Pallet Wt.	Total No. Pkgs	Shipping Class
125 lbs	N/A	132 lbs	14 cu. ft.	N/A	N/A	4	70