



RCPHEX
RECYCLED PLASTIC TABLE
6' recycled plastic plank hexagonal table, flat bench seats, portable mount

Material

The 31" tall table top is hexagonally shaped and is approximately 40" x 46" and the outside seat dimensions are approximately 71" x 73". The table top is made of recycled plastic 2" x 6" (nominal dimensions) planks and seats are made of 2" x 10" (nominal dimensions) recycled plastic planks and features a 2" diameter umbrella hole. The table top is designed to support 100 lbs per square foot and the seats will support 200 lbs per linear foot.

The undersupports are also made of recycled plastic planks. The frame is portable in design allowing for flexibility in placement.

Finish

The planks are impervious to moisture and corrosion, do not require the application of sealants or preservatives, and will never need painting or staining throughout the product's life.

Color

See website or sales representative for color choices.

Assembly

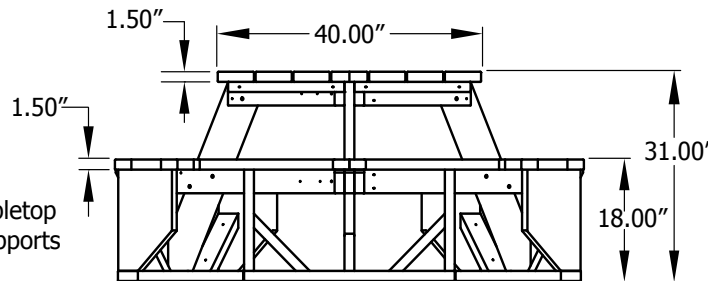
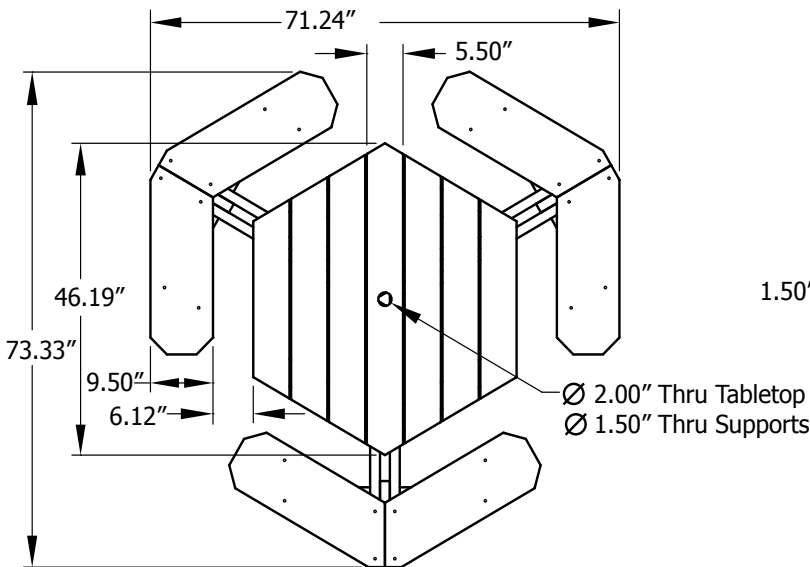
The table requires some assembly. Assembly hardware is included.

Maintenance

The product is virtually maintenance-free and requires only periodic cleaning with a sponge and a solution of mild detergent and water to remove surface dirt. Do not clean with solvent or petroleum based products.

Accessories

Hold Down Kit **RCPHEXHLD**



Shipping Information

Unit Wt.	Unit Shipping Wt. UPS	Unit Shipping Wt. Truck (1+ Units)	Unit Ship Size w/Pallet	Max Units per Pallet	Pallet Wt. (40" x 48")	Total No. Pkgs	Shipping Class
213 lbs	N/A	227 lbs/unit	20 cu. ft.	1	65 lbs	1	70