



## RCP6 RECYCLED PLASTIC PICNIC TABLE

6' recycled plastic plank picnic table,  
flat bench seats, portable mount

### Material

The table is 72" in length and features two flat bench seats. The table top and seats are made of recycled plastic 2" x 10" (nominal dimensions) planks. The table top is designed to support 100 lbs per square foot and the seats will support 200 lbs per linear foot.

The frames are made of recycled plastic planks and reinforced with steel supports. The frame is portable in design allowing for flexibility in placement.

### Finish

The planks are impervious to moisture and corrosion, do not require the application of sealants or preservatives, and will never need painting or staining throughout the product's life.

### Color

See website or sales representative for color choices.

### Assembly

The table requires some assembly. Assembly hardware is included.

### Maintenance

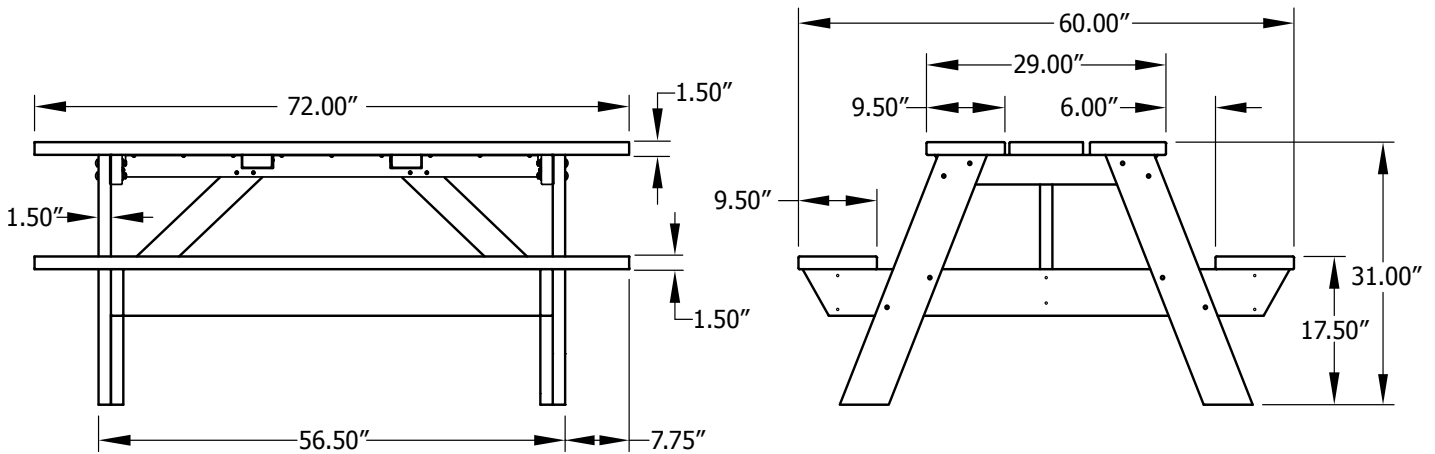
The product is virtually maintenance-free and requires only periodic cleaning with a sponge and a solution of mild detergent and water to remove surface dirt. Do not clean with solvent or petroleum based products.

### Warranty

20-year limited structural warranty on recycled plastic from the date of purchase.

### Accessories

Hold Down Kit **PANELHLD**



### Shipping Information

Unit Wt.	Unit Shipping Wt. UPS	Unit Shipping Wt. Truck (1+ Units)	Unit Ship Size w/Pallet	Max Units per Pallet	Pallet Wt.	Total No. Pkgs	Shipping Class
214 lbs	N/A	239 lbs/unit	20 cu. ft.	N/A	N/A	1	70