

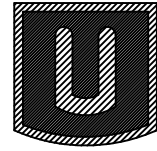
# Portage Series

model no:

*PODN31C, PODN36C*  
*POD031C, POD036C*

**urbanscape**®

INSTRUMENTS TO SHAPE PUBLIC SPACE



6' & 8' PORTABLE W/O BACK PICNIC TABLE  
SQUARE AND ROUND PERFORATED

## *customer service:*

ASSEMBLERS: If you find any parts missing or damaged, or if you're having difficulty assembling your furniture/equipment, call us at:



**SiteFurnishings.Indoff.com**  
**(844)433-9610**

## *maintenance:*

Regular inspection and maintenance of all parts, and fasteners is necessary. Tighten all bolts and nuts. Inspect Tops, Seats, Legs, Braces and Fasteners periodically for wear or vandalism. Replace broken or worn parts immediately or take equipment out of service until repairs are made. Use genuine Urbanscape replacement parts.

KEEP THIS ASSEMBLY/SPECIFICATION SHEET FOR FUTURE REFERENCE.

## *specifications:*

NOTE: We reserve the right to change specifications without notice.

Framework assemblies are finished with powder coating; electrostatically applied and oven cured according to powder manufacturer's specifications. Fasteners are stainless steel to resist corrosion.

### TABLE LEGS:

Legs are constructed of 2 3/8" od x 12 gage structural steel tubing. Mounting brackets are 1/4" x 2" flat bar steel. Braces are 1" od x 15 gage structural steel tubing.

### TABLE SEAT:

The perforated panels are constructed of 12 gage sheet steel. The mounting brackets consists of 10 gage sheet steel.

### GENERAL:

6' Portable Table ground space requirements are: 61 7/8" x 72". The table top is 72" long x 30" wide and 30" to the table's top. The seats are 72" long x 12" wide and 18 1/8" to the seat's top.

8' Portable Table ground space requirements are: 61 7/8" x 96". The table top is 96" long x 30" wide and 30" to the table's top. The seats are 96" long x 12" wide and 18 1/8" to the seat's top.

NOTE: Minor scratches to the faux-wood furniture can be touched up using Wood Finish Touch-Up markers or pens. Some recommended touch-up markers are the MINWAX WOOD FINISH STAIN MARKERS. The cherry marker works well with the wheat faux-wood, the Provincial marker closely matches the weathered and italia, and the Dark Walnut marker matches the espresso faux-wood. The touch-up markers can be obtained at a local hardware store or may also be obtained through Urbanscape by contacting customer service.

## Finished to Look Like Wood, but Act Like Metal

Our faux-wood finishes so closely resemble the real thing that it's hard to believe it's metal and not wood. The timeless beauty and tradition of wood without any of the headaches, such as cracking, warping or rotting. For superior strength and rigidity, we add reinforcements to the aluminum extrusions for all of our faux-wood-finished products.



## AAMA 2604-05 Certification

Our seven-step powder-coat system exceeds AAMA 2604-05 (American Architectural Manufacturers Association) test specifications—one of the highest in the industry. Our coating stood up to some of the toughest test specifications, including adhesion, abrasion resistance, chemical resistance, corrosion resistance and fade resistance, to ensure that our products will last longer than anyone else's.

### AAMA 2604-05 test Procedures and Performance Requirements

Test Requirements	Compliance
<b>Salt-Spray Resistance: 3,000 hours per ASTM B 117</b>	<b>Yes</b>
<b>Weathering: Color Retention, 5-year south Florida sun, per ASTM D 2244 with a maximum 5deltaE change</b>	<b>Yes</b>
<b>Weathering: Chalk resistance, 5-year south Florida sun, per ASTM D 4214 with a max rating of 8</b>	<b>Yes</b>
<b>Weathering: Gloss Retention, 5-year south Florida sun, per ASTM D 523 with a min of 30%</b>	<b>Yes</b>
<b>Weathering: Resistance to Erosion, 5-year south Florida sun, with less than 10% film loss</b>	<b>Yes</b>
<b>Chemical Resistance: Muriatic Acid, Mortar, Nitric Acid, Detergent and Window Cleaner</b>	<b>Yes</b>
<b>Dry Film Hardness per ASTM D 3363 with no rupture</b>	<b>Yes</b>
<b>Adhesion: Dry Adhesion, Wet Adhesion and Boiling Water Adhesion using the cross hatch method with 0% failure</b>	<b>Yes</b>

## Seven Steps to Long-Lasting Furniture: Our Superior Powder-Coating Process

What's responsible for the good looks and durability of all our products? Our seven-step powder-coating process, which is unlike any other in the industry. While other companies also offer powder-coated products, our seven-step process ensures the highest quality and longevity for our products.

### STEP 1—Shot-Blasting to White Metal

First, all of our metal is cleaned to white metal. We strip it to its purest form using our state-of-the-art shot-blast system. This process removes all the impurities from the metal, especially at the weld joints. It's more effective than traditional acid cleaning and also creates a more textured surface, allowing for better adhesion of the powder coat.

### STEP 2—Five-Stage Chemical Pre-Treatment

Next, the metal goes through a five-stage chemical pre-treatment cleaning process. It is etched, rinsed and cleaned to eliminate any residue, then it's sealed—further promoting adhesion and encouraging corrosion prevention.

### STEP 3—Pre-Heating

Prior to coating, the part is pre-heated so that it can be dried, warmed and then sent directly to the spray booth. With the part heated, it draws powder into the joints, corners and hard-to-reach places to ensure complete coating of the entire surface.

### STEP 4—Zinc-Rich Epoxy Coating

After the pre-heating, a Zinc-Rich epoxy powder-coating is applied to provide the highest quality of corrosion control. It works as a prime coat to protect the metal from corrosion before it receives its topcoat.

### STEP 5—Zinc-Rich Epoxy Coating Gel-Cure

Next, the Zinc-Rich epoxy coating is cured to a gel, allowing the polyester topcoat to combine with the Zinc-Rich epoxy, promoting better adhesion.

### STEP 6—AAMA 2604-Compliant Polyester Topcoat

A polyester topcoat is then applied that's specially formulated to meet AAMA 2604 standards for fading, cracking, chalking, gloss retention, erosion resistance and chemical resistance. No one else in the industry uses this high standard of topcoat. It ensures that our products will maintain their beauty and durability for years to come.

### STEP 7—Final Cure

Finally, the metal goes through a cure oven, which hardens the topcoat and completes the integrated bonding between the Zinc-Rich epoxy and AAMA 2604-Compliant Polyester Topcoat.

**assembly procedures:** IMPORTANT: Assemblers should be reasonably skilled in the assembly of commercial grade/heavy duty fabricated steel equipment.

To ensure proper assembly, it is suggested that you take adequate time to locate and identify each part. To prevent scratching of the finished pieces, we recommend this unit to be assembled on a clean, flat, solid, surface with a drop cloth, allowing plenty of working room. Also please read the instructions and study the sketches very carefully. A little extra time spent before assembly will be well worth it in performing a complete, proper assembly. Please note that all parts have been pre-cut and pre-drilled.

During the assembly process leave all bolts and nuts "finger tight", until the entire unit is completely assembled. This allows room for movement to level or adjust all seats, tops, benches, framework and braces if necessary. After final adjustment and leveling, permanently tighten all nuts, bolts and fasteners.

7L

**STEP 1**

Invert the top (4156, 4157, 4161 or 4162) upside down on a flat surface. On the 6' table attach two 7408 legs to the outside of the mounting brackets with the tabs on each leg facing inward. NOTE: On the 8' table, mount 7408 legs to the inside of the table mounting brackets. Use one 5/16" x 1" Hex Head Bolt, one 5/16" Split Washer, two 5/16" Flat Washers and one 5/16" nut per each leg.

**STEP 2**

Rotate 7408 legs upward. On 6' table, join the tabs with 7393 brace placed on the outside of the tabs and secure with a 5/16" x 1" Machine Screw, 5/16" Flat Washer, 5/16" Split Washer and 5/16" nut. Attach the opposite end of the brace to the top's center support brace. Use one 5/16" x 1" Hex Head Bolt, two 5/16" Flat Washers, 5/16" Split Washer, and one 5/16" nut.

**STEP 3**

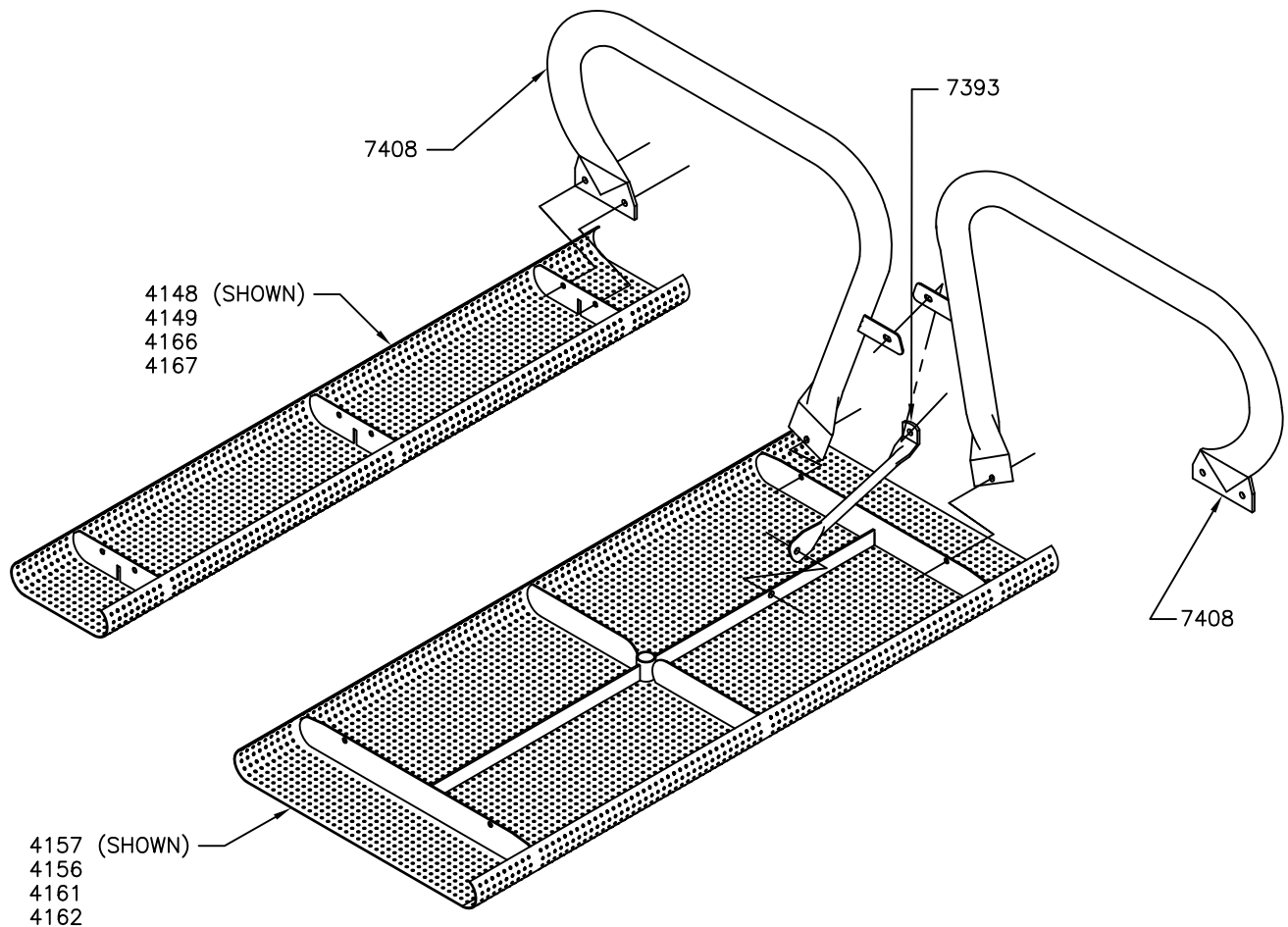
Repeat STEP 1 and STEP 2 to complete installation for opposite side.

**STEP 4**

Attach both seats (4148, 4149, 4166, or 4167) to each side the picnic table. On 6' table align the legs to the outside of mounting brackets on the seat. NOTE: On the 8' table align the legs to the inside of mounting brackets. Use two, per each end of the seat, two 5/16" x 1" Hex Head Bolts, four 5/16" Flat Washers, two 5/16" Split Washers, and two 5/16" nuts.

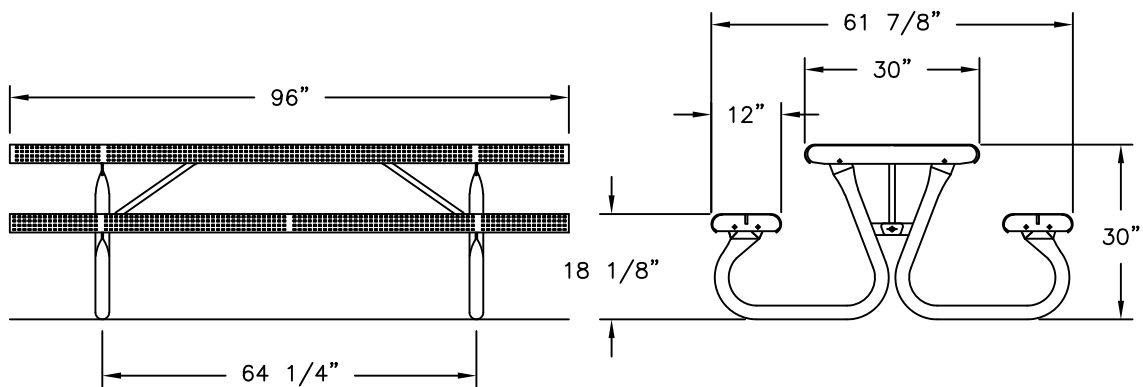
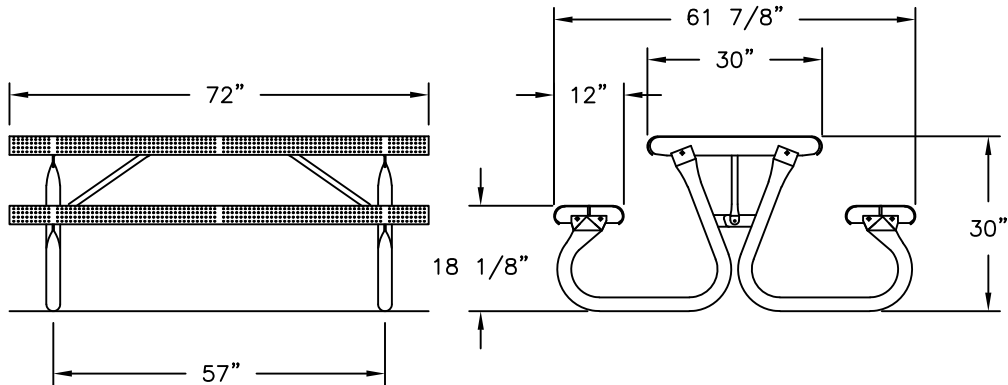
**STEP 5**

Rotate table to upright position. Level the seats and top, tighten with proper tools.



**installation:** WARNING: The proper installation for Urbanscape products may depend upon many factors unique to the site, location, or use of a particular product. Consult with your contractor or other professional to determine your specific installation requirements.

product dimensions:



SiteFurnishings.Indoff.com  
(844)433-9610