

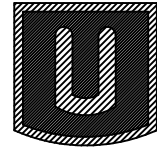
Portage Series

model no:

PODH50C, PODH5AC
PODH71C, PODH76C

urbanscape®

INSTRUMENTS TO SHAPE PUBLIC SPACE



42" PORTABLE/SURFACE MOUNT TABLE W/ ATTACHED CHAIRS
SOLID TOP & RND & SQUARE PERF CHAIRS
3 CHAIR ADA & 4 CHAIR STANDARD

customer service:

ASSEMBLERS: If you find any parts missing or damaged, or if you're having difficulty assembling your furniture/equipment, call us at:



SiteFurnishings.Indoff.com
(844)433-9610

maintenance:

Regular inspection and maintenance of all parts, and fasteners is necessary. Tighten all bolts and nuts. Inspect Tops, Seats, Legs, Braces and Fasteners periodically for wear or vandalism. Replace broken or worn parts immediately or take equipment out of service until repairs are made. Use genuine Urbanscape replacement parts.

KEEP THIS ASSEMBLY/SPECIFICATION SHEET FOR FUTURE REFERENCE.

specifications:

NOTE: We reserve the right to change specifications without notice.

Framework assemblies are finished with powder coating; electrostatically applied and oven cured according to powder manufacturer's specifications. Fasteners are stainless steel to resist corrosion.

FRAME:

Main supports are constructed of 2 3/8" od x 12 gage structural steel tubing. The mounting brackets on legs are 10 gage sheet steel. Attached Cross is cast aluminum.

TOP AND SEATS:

The solid top is .190 spun aluminum sheet. The top mounting brackets are 3/8" aluminum sheet and the umbrella tube is 1/8" x 2" aluminum tubing. The round and square perforated seats are made from 12 gage sheet steel. The seat's framing uses 10 gage sheet steel and the seat's mounting brackets are 1/4" plate steel.

GENERAL:

The ground space requirements for PODH50C and PODH5AC are 94 1/8" square. The table is 41 5/8" round and 29 5/8" to the top of the table. The seats are 18" wide and 19 1/4" to the top of the seats. The overall height of seat backs are 36 7/8".

The ground space requirements for PODH71C and PODH76C are 67 7/8" x 94 1/8". The table is 41 5/8" round and 29 5/8" to the top of the table. The seats are 18" wide and 19 1/4" to the top of the seats. The overall height of seat backs are 36 7/8".

NOTE: When Umbrellas are used on Tables, the Umbrellas must be secured.
Wabash Valley Umbrellas include an Umbrella Collar for securing.

NOTE: Minor scratches to the faux-wood furniture can be touched up using Wood Finish Touch-Up markers or pens. Some recommended touch-up markers are the MINWAX WOOD FINISH STAIN MARKERS. The cherry marker works well with the wheat faux-wood, the Provincial marker closely matches the weathered and italia, and the Dark Walnut marker matches the espresso faux-wood. The touch-up markers can be obtained at a local hardware store or may also be obtained through Urbanscape by contacting customer service.

Finished to Look Like Wood, but Act Like Metal

Our faux-wood finishes so closely resemble the real thing that it's hard to believe it's metal and not wood. The timeless beauty and tradition of wood without any of the headaches, such as cracking, warping or rotting. For superior strength and rigidity, we add reinforcements to the aluminum extrusions for all of our faux-wood-finished products.



AAMA 2604-05 Certification

Our seven-step powder-coat system exceeds AAMA 2604-05 (American Architectural Manufacturers Association) test specifications—one of the highest in the industry. Our coating stood up to some of the toughest test specifications, including adhesion, abrasion resistance, chemical resistance, corrosion resistance and fade resistance, to ensure that our products will last longer than anyone else's.

AAMA 2604-05 test Procedures and Performance Requirements

Test Requirements	Compliance
Salt-Spray Resistance: 3,000 hours per ASTM B 117	Yes
Weathering: Color Retention, 5-year south Florida sun, per ASTM D 2244 with a maximum 5deltaE change	Yes
Weathering: Chalk resistance, 5-year south Florida sun, per ASTM D 4214 with a max rating of 8	Yes
Weathering: Gloss Retention, 5-year south Florida sun, per ASTM D 523 with a min of 30%	Yes
Weathering: Resistance to Erosion, 5-year south Florida sun, with less than 10% film loss	Yes
Chemical Resistance: Muriatic Acid, Mortar, Nitric Acid, Detergent and Window Cleaner	Yes
Dry Film Hardness per ASTM D 3363 with no rupture	Yes
Adhesion: Dry Adhesion, Wet Adhesion and Boiling Water Adhesion using the cross hatch method with 0% failure	Yes

Seven Steps to Long-Lasting Furniture: Our Superior Powder-Coating Process

What's responsible for the good looks and durability of all our products? Our seven-step powder-coating process, which is unlike any other in the industry. While other companies also offer powder-coated products, our seven-step process ensures the highest quality and longevity for our products.

STEP 1—Shot-Blasting to White Metal

First, all of our metal is cleaned to white metal. We strip it to its purest form using our state-of-the-art shot-blast system. This process removes all the impurities from the metal, especially at the weld joints. It's more effective than traditional acid cleaning and also creates a more textured surface, allowing for better adhesion of the powder coat.

STEP 2—Five-Stage Chemical Pre-Treatment

Next, the metal goes through a five-stage chemical pre-treatment cleaning process. It is etched, rinsed and cleaned to eliminate any residue, then it's sealed—further promoting adhesion and encouraging corrosion prevention.

STEP 3—Pre-Heating

Prior to coating, the part is pre-heated so that it can be dried, warmed and then sent directly to the spray booth. With the part heated, it draws powder into the joints, corners and hard-to-reach places to ensure complete coating of the entire surface.

STEP 4—Zinc-Rich Epoxy Coating

After the pre-heating, a Zinc-Rich epoxy powder-coating is applied to provide the highest quality of corrosion control. It works as a prime coat to protect the metal from corrosion before it receives its topcoat.

STEP 5—Zinc-Rich Epoxy Coating Gel-Cure

Next, the Zinc-Rich epoxy coating is cured to a gel, allowing the polyester topcoat to combine with the Zinc-Rich epoxy, promoting better adhesion.

STEP 6—AAMA 2604-Compliant Polyester Topcoat

A polyester topcoat is then applied that's specially formulated to meet AAMA 2604 standards for fading, cracking, chalking, gloss retention, erosion resistance and chemical resistance. No one else in the industry uses this high standard of topcoat. It ensures that our products will maintain their beauty and durability for years to come.

STEP 7—Final Cure

Finally, the metal goes through a cure oven, which hardens the topcoat and completes the integrated bonding between the Zinc-Rich epoxy and AAMA 2604-Compliant Polyester Topcoat.

assembly procedures:

IMPORTANT: Assemblers should be reasonably skilled in the assembly of commercial grade/heavy duty fabricated steel equipment.

To ensure proper assembly, it is suggested that you take adequate time to locate and identify each part. To prevent scratching of the finished pieces, we recommend this unit to be assembled on a clean, flat, solid, surface with a drop cloth, allowing plenty of working room. Also please read the instructions and study the sketches very carefully. A little extra time spent before assembly will be well worth it in performing a complete, proper assembly. Please note that all parts have been pre-cut and pre-drilled.

During the assembly process leave all bolts and nuts "finger tight", until the entire unit is completely assembled. This allows room for movement to level or adjust all seats, tops, benches, framework and braces if necessary. After final adjustment and leveling, permanently tighten all nuts, bolts and fasteners.

76

STEP 1

Attach two opposing ends of the 7418 Attached Cross brace to two 7193 legs. Use one, per each leg, 5/16" x 3 1/2" Machine Screws, 5/16" Nut, 5/16" Split Washer and two 5/16" Flat Washers. Attach the remaining two 7193 legs to the 7418 Attached Cross as per stated previously. Tighten the fasteners with a standard tip screwdriver.

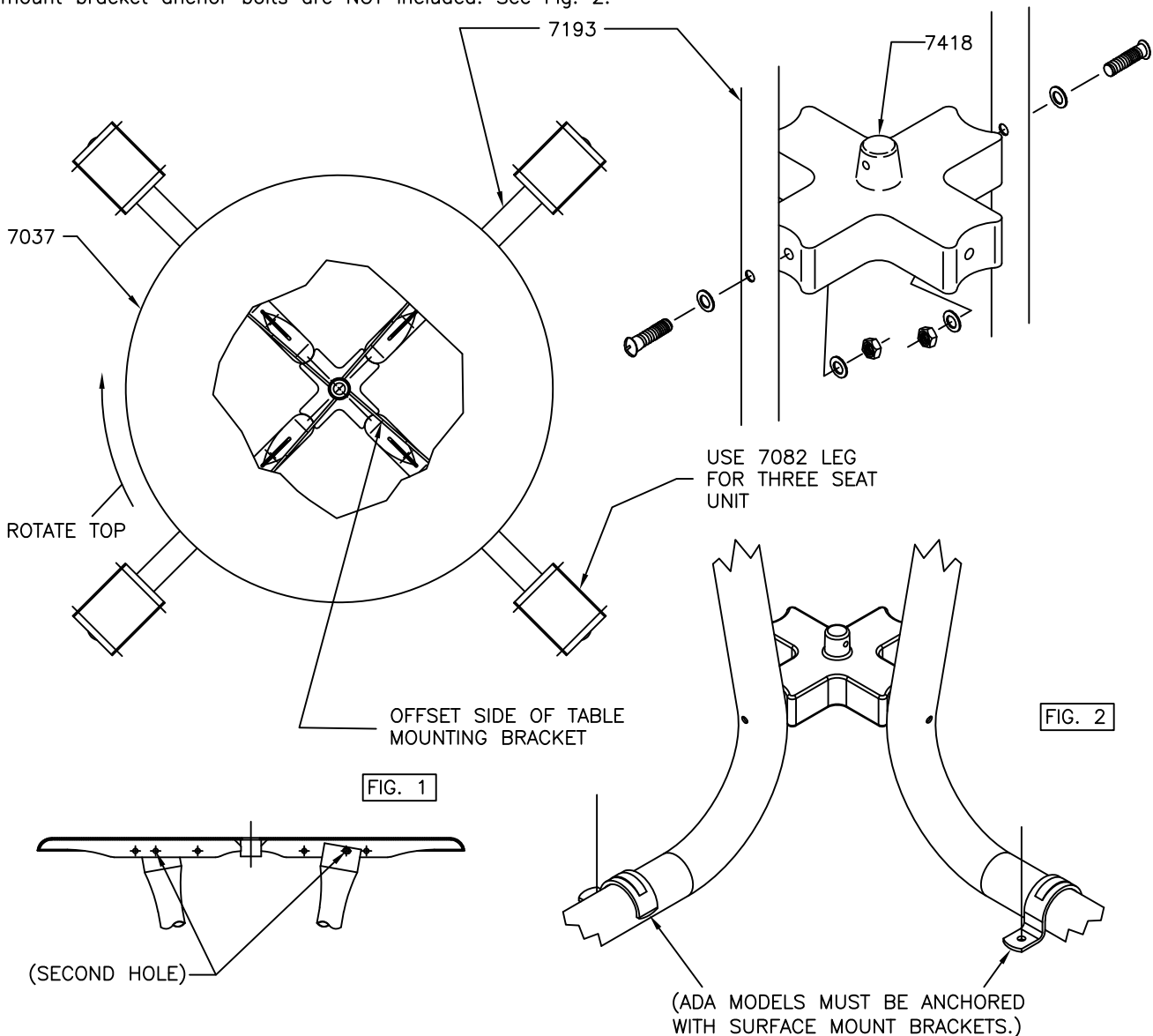
NOTE: On 3 Seat ADA unit, assemble one 7082 leg and three 7193 legs.

STEP 2

Lift the 7037 top over the top end of the legs. Bring it down, aligning the top's mounting brackets off-set side to each leg. Rotate and attach the top to the legs using the second hole location from center of the table, see FIG 1. Use one per each leg, 5/16" x 1" Hex Head Bolt, 5/16" Nut, 5/16" Split Washer, and two 5/16" Flat Washers.

NOTE: ADA MODELS MUST BE ANCHORED WITH SURFACE MOUNT BRACKETS.

When using the surface mount brackets, on ADA models only, the 17115 glides are not used. Also, the surface mount bracket anchor bolts are NOT included. See Fig. 2.



installation:

WARNING: The proper installation for Urbanscape products may depend upon many factors unique to the site, location, or use of a particular product. Consult with your contractor or other professional to determine your specific installation requirements.

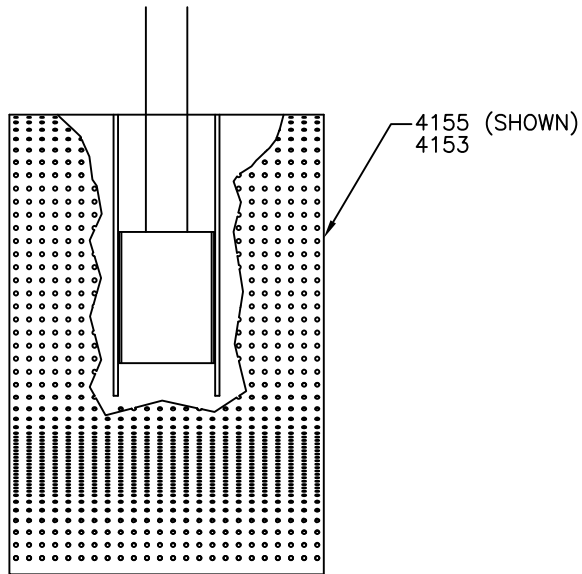
assembly procedures (con't):

STEP 3

Attach one Attached Chair (4153 or 4155) to the seat end of one leg. Align the leg's mounting plate to the inside of the chair's mounting brackets. Use four, per each chair, 5/16" x 1" Hex Head Bolt, 5/16" Nut, 5/16" Split Washer, and two 5/16" Flat Washers.

Repeat STEP 3, to attach the remaining chairs.

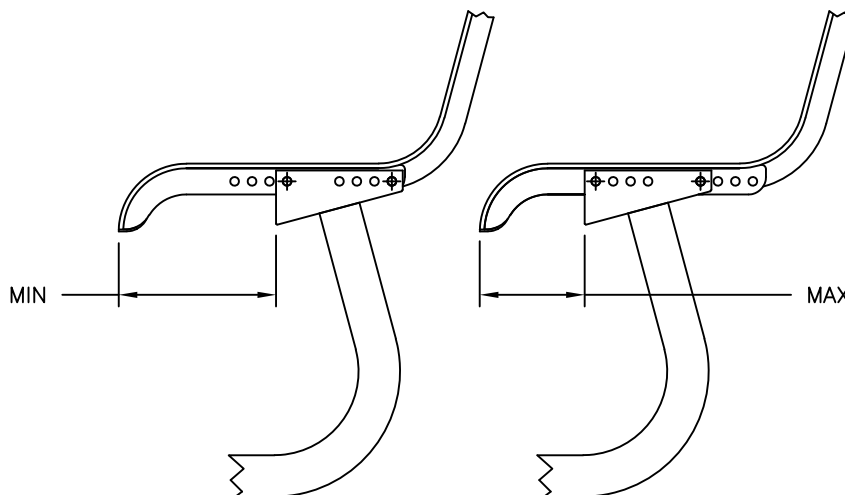
NOTE: On 3 Seat ADA unit, assemble three chairs.



NOTE: The illustration below shows the maximum and the minimum chair positions. Your personal preference will determine the chair position.

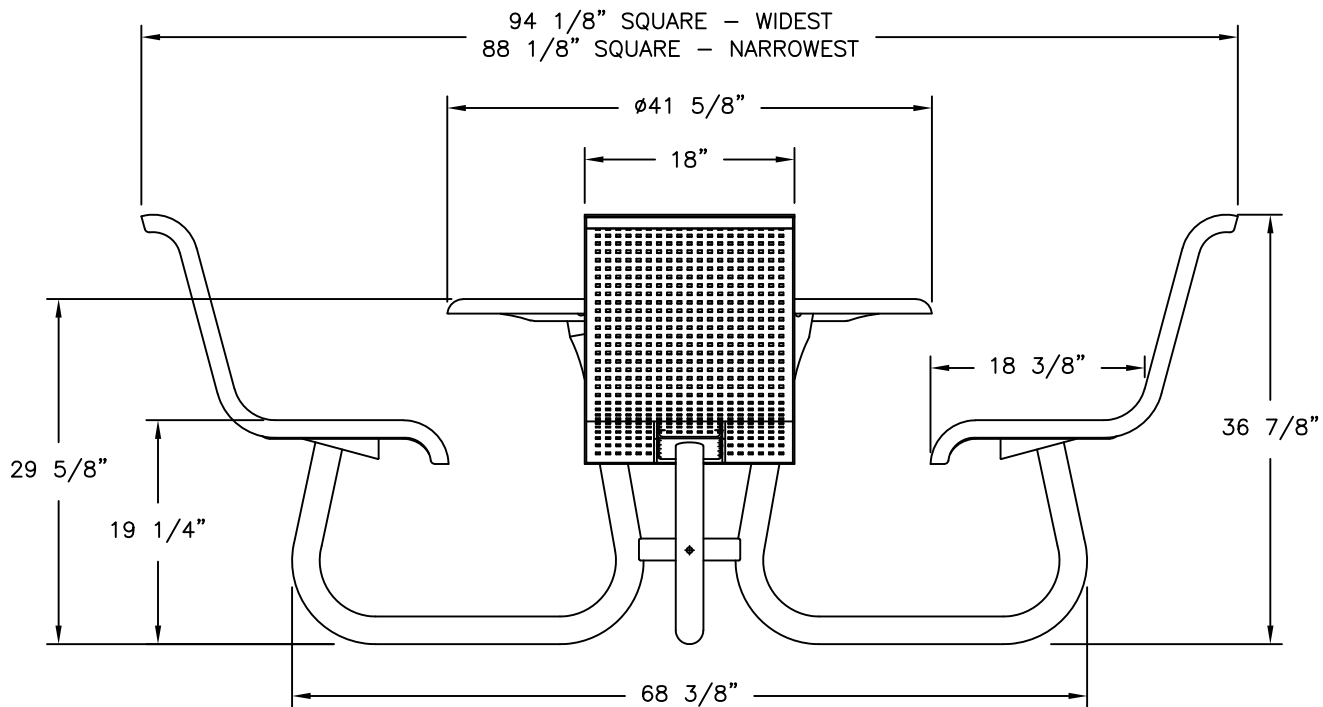
STEP 4

Level the seats and top, if necessary, and tighten all fasteners with proper tools.



product dimensions:

PODH50C, PODH5AC



PODH71C, PODH76C

(ADA MODELS MUST BE ANCHORED
WITH SURFACE MOUNT BRACKETS.)

