

**PCSXBEN6**  
**STRUCTURE FLAT BENCH**  
 flat expanded steel bench and cast  
 aggregate supports

Hold Down Kit      Accessories      PCSHLD

**Material**

The bench seat is 72" long and made of 3/4 #9 expanded steel with a diamond shape pattern. The seat is protected by Fusion Advantage™, a plastisol coating with an average .125" thickness and a high-gloss powder coat. The bench seat will support 200 lbs per linear foot.

The bench supports are cast aggregate and will not corrode, crack, splinter, rot or rust.

This bench is designed to be portable, allowing for flexibility in placement.

**Finish**

Fusion Advantage is a heat fused plastisol coating that creates an impervious rustproof barrier and resists UV deterioration, mildew, staining and fading.

The finish has been tested to the requirements of ASTM E1354 and is determined to be in compliance with California Uniform Fire Code 1103.2.1.4.2.

The aggregate is cast in a durable epoxy resin that remains clear and bright throughout its life.

**Color**

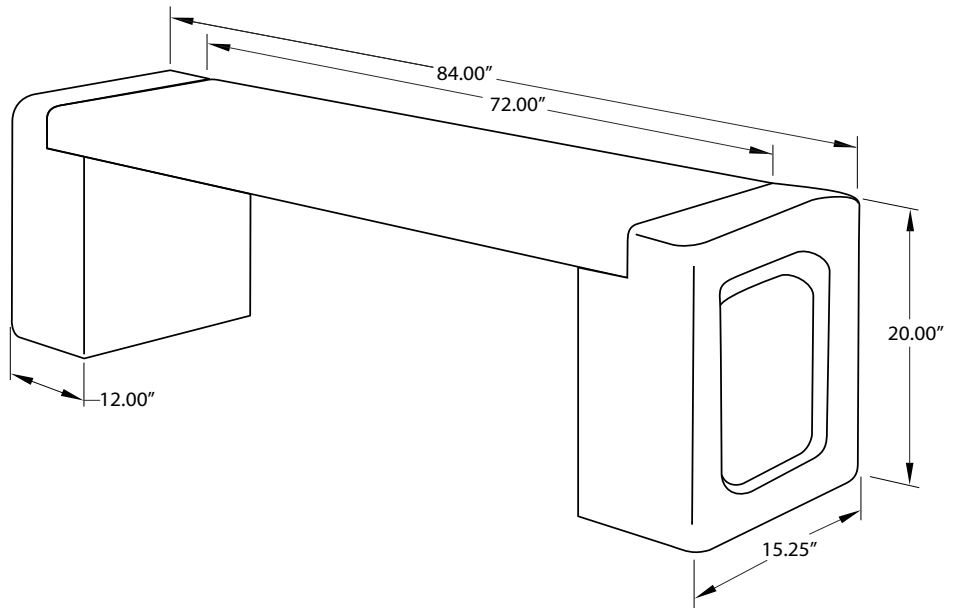
See website or sales representative for color choices.

**Assembly**

The benches require some assembly.

**Maintenance**

Maintenance-free. To clean, spray with a power washer.



**Shipping Information**

Unit Wt.	Unit Shipping Wt. UPS	Unit Shipping Wt. Truck (1+ Units)	Unit Ship Size w/Pallet	Max Units per Pallet	Pallet Wt. (25" x 25")	Total No. Pkgs	Shipping Class
432 lbs	N/A	455 lbs/unit	18 cu. ft.	4	29 lbs	2	70