



Material

The ash urn is made of cast aggregate and features a 7.5" square ashtray. A supply of Black Beauty sand substitute is included. The base of the urn has solid rubber feet to protect surfaces and is portable for flexibility in placement. The urn is 25" tall.

Finish

The aggregate is cast in a durable epoxy resin that remains clear and bright throughout its life.

Color

See website or sales representative for color choices.

Assembly

No assembly is required, the urn arrives assembled and ready for placement and use on site.

Maintenance

Maintenance-free. To clean, spray with a power washer.

**PCSURN
STRUCTURE ASH URN**
cast aggregate urn with solid rubber feet

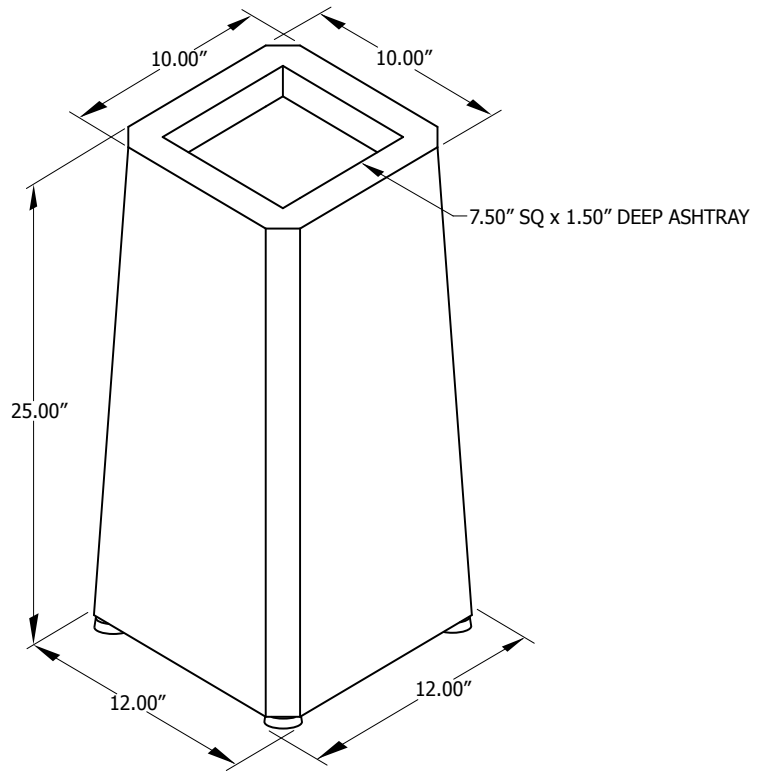
Replacement Parts

Black Beauty Sand Replacement:

- 5 lb bag **SAND5**
- 10 lb bag **SAND10**
- 25 lb bag **SAND25**
- 50 lb bag **SAND50**

Accessories

- Ash Sifter 5" diameter **SIFTER**



Shipping Information

Unit Wt.	Unit Shipping Wt. UPS	Unit Shipping Wt. Truck (1+ Units)	Unit Ship Size w/Pallet	Max Units per Pallet	Pallet Wt. (25" x 25")	Total No. Pkgs	Shipping Class
146 lbs	N/A	155 lbs/unit	11 cu. ft.	4	25 lbs	1	70