



Material

The pyramid ash stash is composed of natural stone and epoxy bonded together to create components that are attractive in appearance while maintaining the strength of concrete with less weight. The urn is 35" tall and includes an easy-to-empty removable steel ash tube.

Finish

The aggregate is cast in a durable epoxy resin that remains clear and bright throughout its life.

Color

See website or sales representative for color choices.

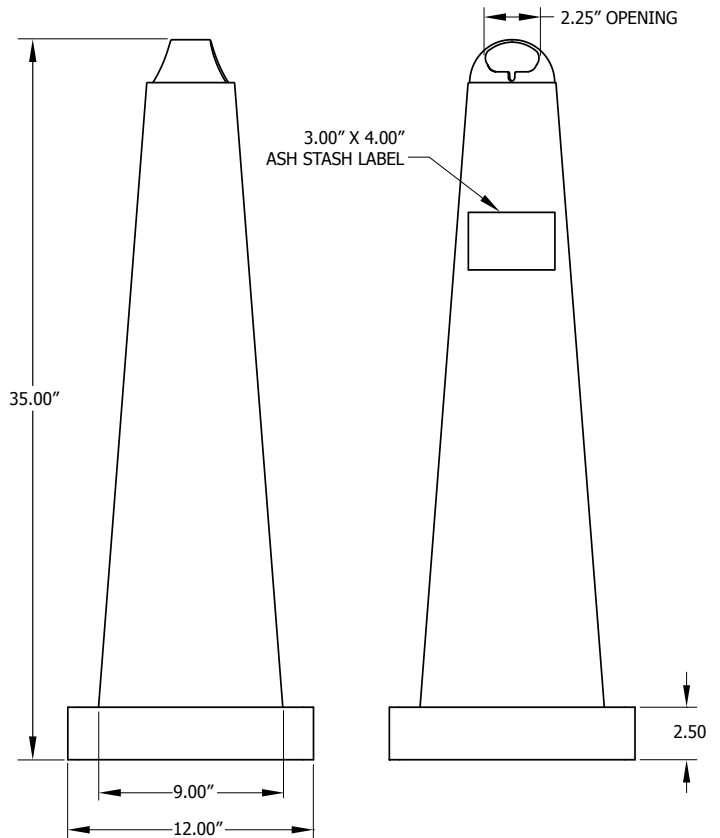
Assembly

No assembly is required, the urn arrives assembled and ready for placement and use on site.

Maintenance

The product is virtually maintenance-free and requires only periodic cleaning with a sponge and a solution of mild detergent and water to remove surface dirt. Do not clean with solvent or petroleum based products.

PCSPYA
STRUCTURE ASH STASH
 pyramid ash stash cast aggregate
 urn with two-sided cast aluminum
 top and removable steel ash tube



Shipping Information

Unit Wt.	Unit Shipping Wt. UPS	Unit Shipping Wt. Truck (1+ Units)	Unit Ship Size w/Pallet	Max Units per Pallet	Pallet Wt. (25" x 25")	Total No. Pkgs	Shipping Class
93 lbs	N/A	98 lbs/unit	15 cu. ft.	4	50 lbs	1	70