



**PCSIU**  
**STRUCTURE ASH URN**  
 bonded aggregate ash urn with  
 graphic insert

**Accessories**

- Black Beauty Sand Replacement:  
 5 lb bag                   **SAND5**  
 10 lb bag                   **SAND10**  
 25 lb bag                   **SAND25**  
 50 lb bag                   **SAND50**
- Ash Sifter 5" diameter           **SIFTER**

**Material**

The ash urn is composed of natural stone and epoxy bonded together to create components that are attractive in appearance while maintaining the strength of concrete with less weight. The ash urn comes with a 7.5" x 7.5" insert with a choice of messages: "No Smoking" or "Smoking Area" and includes a supply of black beauty sand substitute.

The urn is designed to be portable, allowing for flexibility in placement and includes rubber feet to protect flooring materials.

**Finish**

The aggregate is cast in a durable epoxy resin that remains clear and bright throughout its life.

**Color**

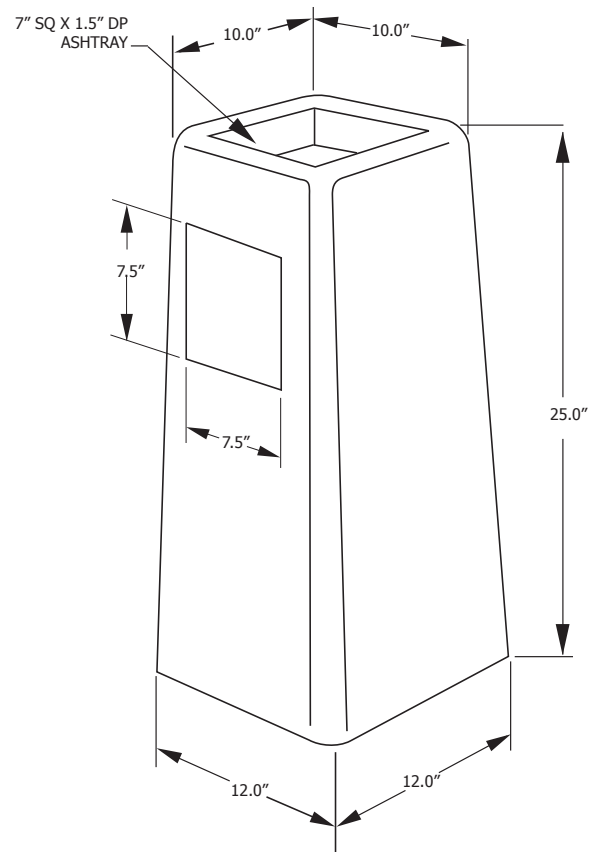
See website or sales representative for color choices.

**Assembly**

The receptacle arrives fully assembled for immediate use on site.

**Maintenance**

Maintenance-free. To clean, spray with a power washer.



**Shipping Information**

Unit Wt.	Unit Shipping Wt. UPS	Unit Shipping Wt. Truck (1+ Units)	Unit Ship Size w/Pallet	Max Units per Pallet	Pallet Wt. (36" x 36")	Total No. Pkgs	Shipping Class
128 lbs	N/A	146 lbs/unit	4 cu. ft.	4	29 lbs	1	70