

**Material**

The ash urn is composed of natural stone and epoxy bonded together to create components that are attractive in appearance while maintaining the strength of concrete with less weight. The ash urn features a rain bonnet to keep the elements out of the ashtray and includes a supply of black beauty sand substitute.

The urn is designed to be portable, allowing for flexibility in placement and includes rubber feet to protect flooring materials.

**Finish**

The aggregate is cast in a durable epoxy resin that remains clear and bright throughout its life.

**Color**

See website or sales representative for color choices.

The rain bonnet and ashtray are available in bronze colored powdercoat.

**Assembly**

The receptacle arrives fully assembled for immediate use on site.

**Maintenance**

Maintenance-free. To clean, spray with a power washer.

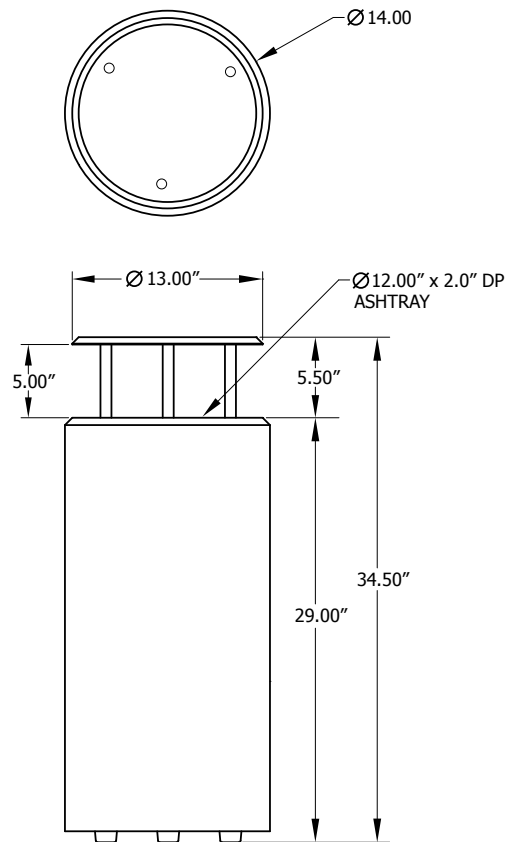
**PCSCURB  
STRUCTURE ASH URN**  
bonded aggregate ash urn with rain  
bonnet

Accessories

Black Beauty Sand Replacement:

- 5 lb bag                    **SAND5**
- 10 lb bag                **SAND10**
- 25 lb bag                **SAND25**
- 50 lb bag                **SAND50**

Ash Sifter 5" diameter        **SIFTER**



**Shipping Information**

Unit Wt.	Unit Shipping Wt. UPS	Unit Shipping Wt. Truck (1+ Units)	Unit Ship Size w/Pallet	Max Units per Pallet	Pallet Wt. (30" x 30")	Total No. Pkgs	Shipping Class
114 lbs	N/A	121 lbs/unit	5 cu. ft.	2	25 lbs	1	70