



PCSCATRB STRUCTURE RECEPTACLE

5-gallon cast aggregate receptacle
with rain bonnet/ashtray top and
plastic liner

Replacement Parts

Black Plastic Liner **R-PCSCATPLR**

Accessories

Hold Down Kit **PCSHLD**

Black Beauty Sand Replacement:

5 lb bag **SAND5**
10 lb bag **SAND10**
25 lb bag **SAND25**
50 lb bag **SAND50**

Ash Sifter 5" diameter **SIFTER**

Material

The 5-gallon receptacle is composed of 1" thick cast aggregate. The receptacle includes rubber feet and a rain bonnet top made of a non-rusting aluminum frame and high density plastic panel. The bonnet top lifts off for easy trash disposal. The receptacle lid also includes a 14" web security strap.

The reusable plastic liner is made of black high-density polyethylene.

The receptacle is designed to be portable, allowing for flexibility in placement.

Finish

The aggregate is cast in a durable epoxy resin that remains clear and bright throughout its life.

Color

See website or sales representative for color choices.

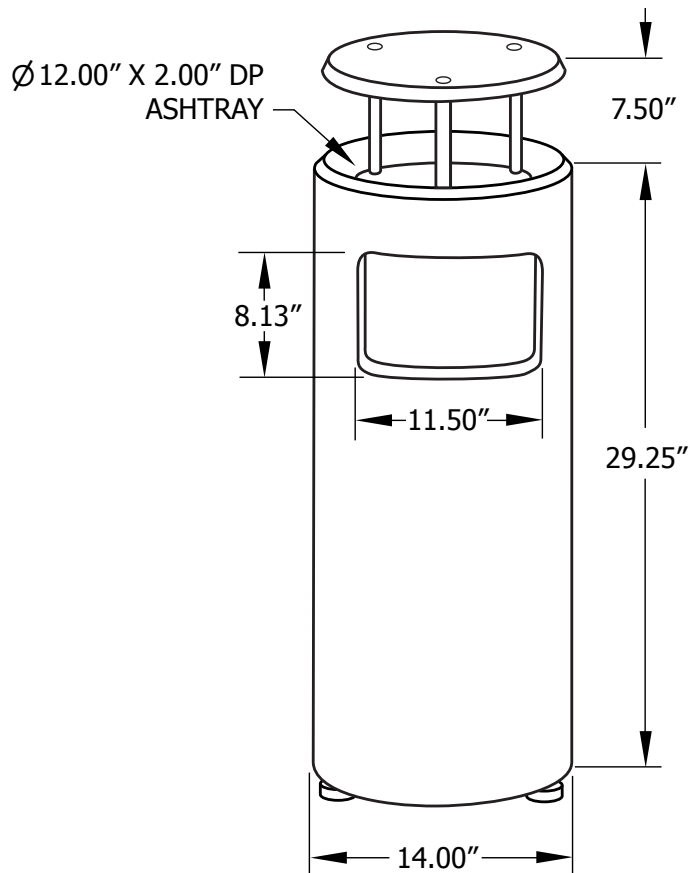
Rain bonnet ashtray top is available in Bronze color or Anodized Aluminum.

Assembly

The receptacle arrives fully assembled for immediate use on site.

Maintenance

Maintenance-free. To clean, spray with a power washer.



Shipping Information

Unit Wt.	Unit Shipping Wt. UPS	Unit Shipping Wt. Truck (1+ Units)	Unit Ship Size w/Pallet	Max Units per Pallet	Pallet Wt. (30" x 30")	Total No. Pkgs	Shipping Class
119 lbs	N/A	169 lbs/unit	22 cu. ft.	4	25 lbs	1	70