



Material

The 40-gallon receptacle is composed of 2" thick cast aggregate. The receptacle includes rubber feet and a 16-gauge galvanized spun steel contour top with two recycling openings. The top features a 4" diameter hole with a decal for "Bottles/Cans" and a 5" diameter hole with a decal for "Paper". The top lifts off for easy waste disposal. The receptacle top also includes a 14" web security strap.

The receptacle includes two half-round, reusable 20-gallon plastic liners made of black high-density polyethylene.

The receptacle is designed to be portable, allowing for flexibility in placement.

Finish

The aggregate is cast in a durable epoxy resin that remains clear and bright throughout its life.

Color

See website or sales representative for color choices.

Assembly

The receptacle arrives fully assembled for immediate use on site.

Maintenance

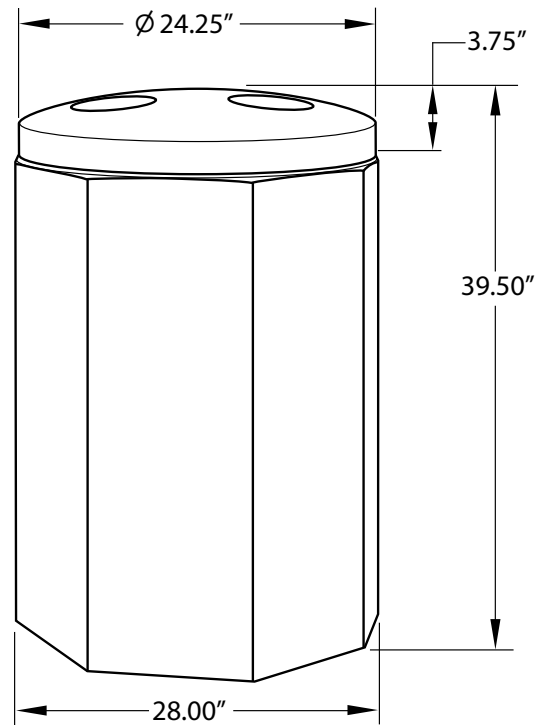
Maintenance-free. To clean, spray with a power washer.

**PCS55R
STRUCTURE RECEPTACLE**
40-gallon cast aggregate receptacle
with dual recycling top and two
plastic liners

Accessories

Hold Down Kit

PCSHLD



Shipping Information

Unit Wt.	Unit Shipping Wt. UPS	Unit Shipping Wt. Truck (1+ Units)	Unit Ship Size w/Pallet	Max Units per Pallet	Pallet Wt. (25" x 25")	Total No. Pkgs	Shipping Class
345 lbs	N/A	370 lbs/unit	19 cu. ft.	1	18 lbs	1	70