



Material

The 55-gallon receptacle is composed of 2" thick cast aggregate. The receptacle includes rubber feet and a vacuum formed high-density polyethylene push-door top with embossed "THANK YOU" message. The top lifts off for easy waste disposal. The receptacle top also includes a 14" web security strap.

The reusable plastic liner is made of black high-density polyethylene.

The receptacle is designed to be portable, allowing for flexibility in placement.

Finish

The aggregate is cast in a durable epoxy resin that remains clear and bright throughout its life.

Color

See website or sales representative for color choices.

Assembly

The receptacle arrives fully assembled for immediate use on site.

Maintenance

Maintenance-free. To clean, spray with a power washer.

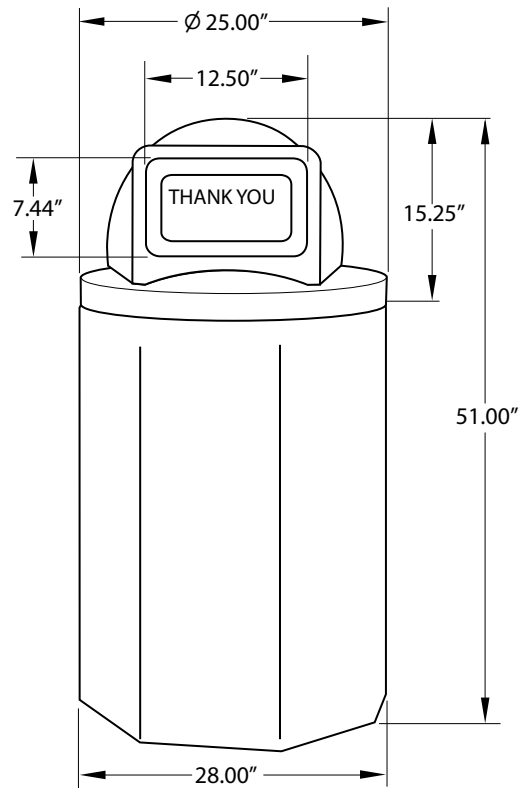
**PCS55PDT
STRUCTURE RECEPTACLE**
55-gallon cast aggregate receptacle
with push-door dome top and
plastic liner

Replacement Parts

Black Plastic Liner **R-PCS55LNR**

Accessories

Hold Down Kit **PCSHLD**



Shipping Information

Unit Wt.	Unit Shipping Wt. UPS	Unit Shipping Wt. Truck (1+ Units)	Unit Ship Size w/Pallet	Max Units per Pallet	Pallet Wt. (25" x 25")	Total No. Pkgs	Shipping Class
348 lbs	N/A	388 lbs/unit	21 cu. ft.	1	18 lbs	1	70