



**Material**

The 55-gallon receptacle is composed of 2" thick cast aggregate. The receptacle includes rubber feet and a rotomolded high-density polyethylene top with 2" wide and 1.5" deep ashtray around the outer edge of the top. A supply of sand substitute is included. The top lifts off for easy ash and waste disposal. The receptacle top also includes a 14" web security strap.

The reusable plastic liner is made of black high-density polyethylene.

The receptacle is designed to be portable, allowing for flexibility in placement.

**Finish**

The aggregate is cast in a durable epoxy resin that remains clear and bright throughout its life.

**Color**

See website or sales representative for color choices.

**Assembly**

The receptacle arrives fully assembled for immediate use on site.

**Maintenance**

Maintenance-free. To clean, spray with a power washer.

**PCS55PAT  
STRUCTURE RECEPTACLE  
55-gallon cast aggregate receptacle  
with ashtray top and plastic liner**

**Replacement Parts**

Black Plastic Liner **R-PCS55LNR**

**Accessories**

Hold Down Kit **PCSHLD**

Black Beauty Sand Replacement:

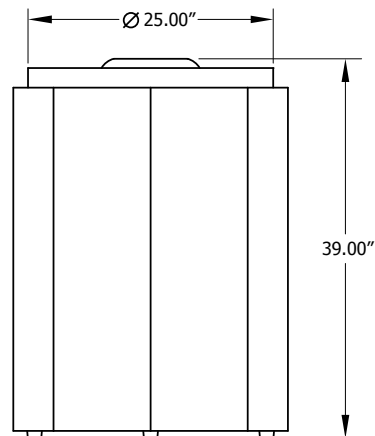
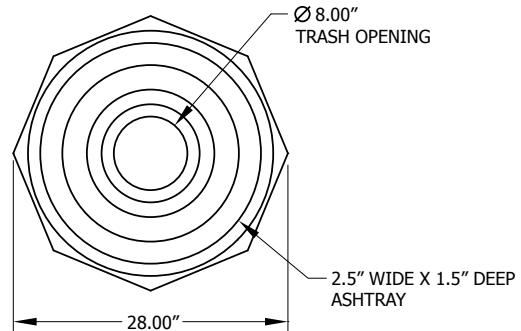
5 lb bag **SAND5**

10 lb bag **SAND10**

25 lb bag **SAND25**

50 lb bag **SAND50**

Ash Sifter 5" diameter **SIFTER**



**Shipping Information**

Unit Wt.	Unit Shipping Wt. UPS	Unit Shipping Wt. Truck (1+ Units)	Unit Ship Size w/Pallet	Max Units per Pallet	Pallet Wt. (25" x 25")	Total No. Pkgs	Shipping Class
358 lbs	N/A	384 lbs/unit	16 cu. ft.	1	18 lbs	1	70