



## PCS32ILAC STRUCTURE RECEPTACLE

32-gallon cast aggregate receptacle  
with graphic insert, ashtray, and  
plastic liner

### Replacement Parts

Black Plastic Liner **R-PCS32PLR**

### Accessories

Hold Down Kit **PCSHLD**

Black Beauty Sand Replacement:

5 lb bag **SAND5**  
10 lb bag **SAND10**  
25 lb bag **SAND25**  
50 lb bag **SAND50**

Ash Sifter 5" diameter **SIFTER**

### Material

The 32-gallon receptacle is composed of 1.5" thick cast aggregate. The receptacle includes an aluminum frame top and ashtray with attached durable plastic cover.

The top is made of high-density polyethylene that will not chip, crack or dent. The top features a 1.5" deep by 14.00" square ashtray, comes with a supply of black beauty sand substitute, and includes a 14" web security strap.

The receptacle features a 22" x 10" graphic insert. The customer can choose between seven different variations of "no smoking" or "smoking area".

The reusable plastic liner is made of black high-density polyethylene.

The receptacle is designed to be portable, allowing for flexibility in placement.

### Finish

The aggregate is cast in a durable epoxy resin that remains clear and bright throughout its life.

### Color

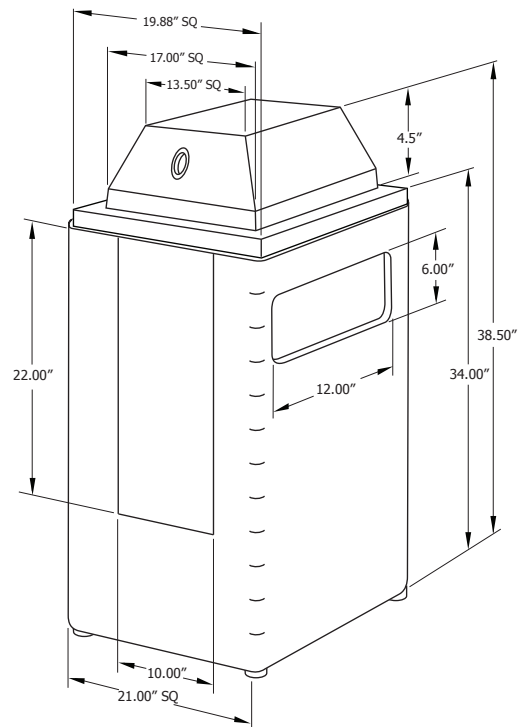
See website or sales representative for color choices.

### Assembly

The receptacle arrives fully assembled for immediate use on site.

### Maintenance

Maintenance-free. To clean, spray with a power washer.



### Shipping Information

Unit Wt.	Unit Shipping Wt. UPS	Unit Shipping Wt. Truck (1+ Units)	Unit Ship Size w/Pallet	Max Units per Pallet	Pallet Wt. (25" x 25")	Total No. Pkgs	Shipping Class
279 lbs	N/A	302 lbs/unit	16 cu. ft.	1	18 lbs	1	70