

**Material**

The 30-gallon receptacle is composed of 2" thick cast aggregate. The receptacle includes rubber feet and a rain bonnet top made of an aluminum frame and high density plastic panel. The bonnet top lifts off for easy trash disposal. The receptacle top also includes a 14" web security strap.

The reusable plastic liner is made of black high-density polyethylene.

The receptacle is designed to be portable, allowing for flexibility in placement.

**Finish**

The aggregate is cast in a durable epoxy resin that remains clear and bright throughout its life.

**Color**

See website or sales representative for color choices.

**Assembly**

The receptacle arrives fully assembled for immediate use on site.

**Maintenance**

Maintenance-free. To clean, spray with a power washer.

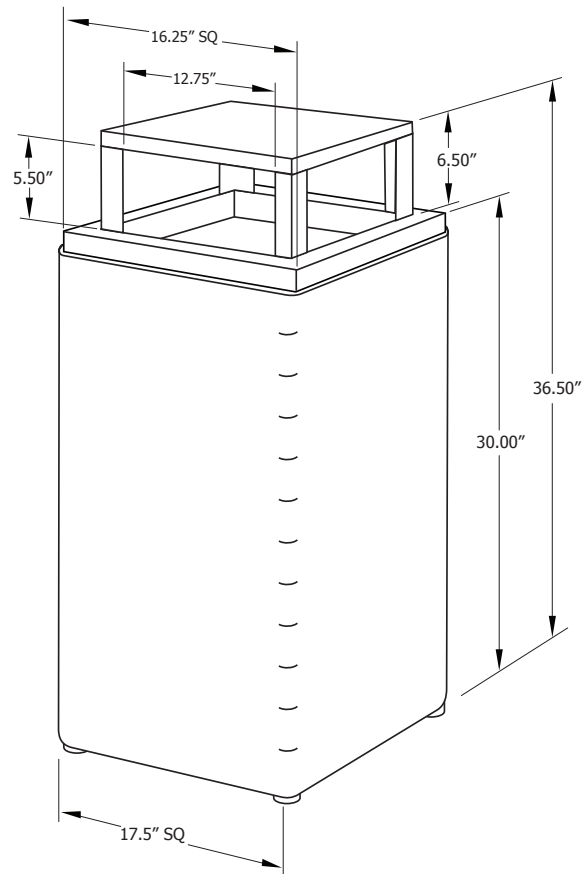
**PCS30RB  
STRUCTURE RECEPTACLE  
30-gallon cast aggregate receptacle  
with rain bonnet top and plastic liner**

**Replacement Parts**

Black Plastic Liner **R-PCS30LNR**

**Accessories**

Hold Down Kit **PCSHLD**



**Shipping Information**

Unit Wt.	Unit Shipping Wt. UPS	Unit Shipping Wt. Truck (1+ Units)	Unit Ship Size w/Pallet	Max Units per Pallet	Pallet Wt. (36" x 36")	Total No. Pkgs	Shipping Class
180 lbs	N/A	211 lbs/unit	27 cu. ft.	4	28 lbs	1	70