

PCS30A

STRUCTURE RECEPTACLE

30-gallon cast aggregate receptacle with rain bonnet ashtray and plastic liner

Replacement Parts

Black Plastic Liner **R-PCS30LNR**

Accessories

Hold Down Kit **PCSHLD**

Black Beauty Sand Replacement:

- 5 lb bag **SAND5**
- 10 lb bag **SAND10**
- 25 lb bag **SAND25**
- 50 lb bag **SAND50**

Ash Sifter 5" diameter **SIFTER**

Material

The 30-gallon receptacle is composed of 2" thick cast aggregate. The receptacle includes rubber feet and a bonnet made of an aluminum frame and high density plastic 11" square by 2" deep ashtray. The bonnet lifts off for easy trash disposal. The receptacle comes with a supply of black beauty sand substitute, and includes a 14" web security strap.

The reusable plastic liner is made of black high-density polyethylene.

The receptacle is designed to be portable, allowing for flexibility in placement.

Finish

The aggregate is cast in a durable epoxy resin that remains clear and bright throughout its life.

Color

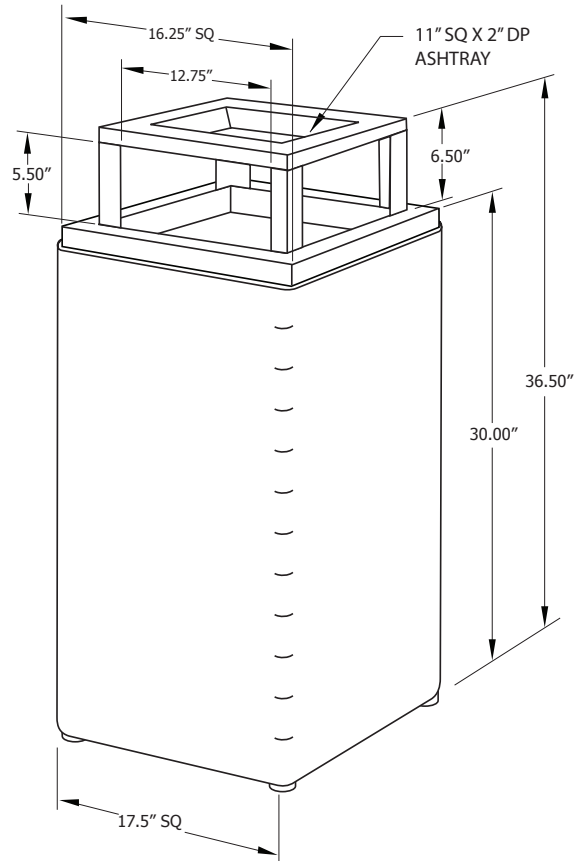
See website or sales representative for color choices.

Assembly

The receptacle arrives fully assembled for immediate use on site.

Maintenance

Maintenance-free. To clean, spray with a power washer.



Shipping Information

Unit Wt.	Unit Shipping Wt. UPS	Unit Shipping Wt. Truck (1+ Units)	Unit Ship Size w/Pallet	Max Units per Pallet	Pallet Wt. (36" x 36")	Total No. Pkgs	Shipping Class
185 lbs	N/A	216 lbs/unit	24 cu. ft.	4	28 lbs	1	70