

**Material**

The 30-gallon receptacle is composed of 2" thick cast aggregate. The receptacle includes rubber feet and a bonnet made of an aluminum frame and high density plastic 11" square by 2" deep ashtray. The bonnet lifts off for easy trash disposal. The receptacle comes with a supply of black beauty sand substitute, and includes a 14" web security strap.

The reusable plastic liner is made of black high-density polyethylene.

The receptacle is designed to be portable, allowing for flexibility in placement.

**Finish**

The aggregate is cast in a durable epoxy resin that remains clear and bright throughout its life.

**Color**

See website or sales representative for color choices.

**Assembly**

The receptacle arrives fully assembled for immediate use on site.

**Maintenance**

Maintenance-free. To clean, spray with a power washer.

**PCS30A  
STRUCTURE RECEPTACLE**  
30-gallon cast aggregate receptacle  
with rain bonnet ashtray and plastic  
liner

**Replacement Parts**

Black Plastic Liner **R-PCS30LNR**

**Accessories**

Hold Down Kit **PCSHLD**

Black Beauty Sand Replacement:

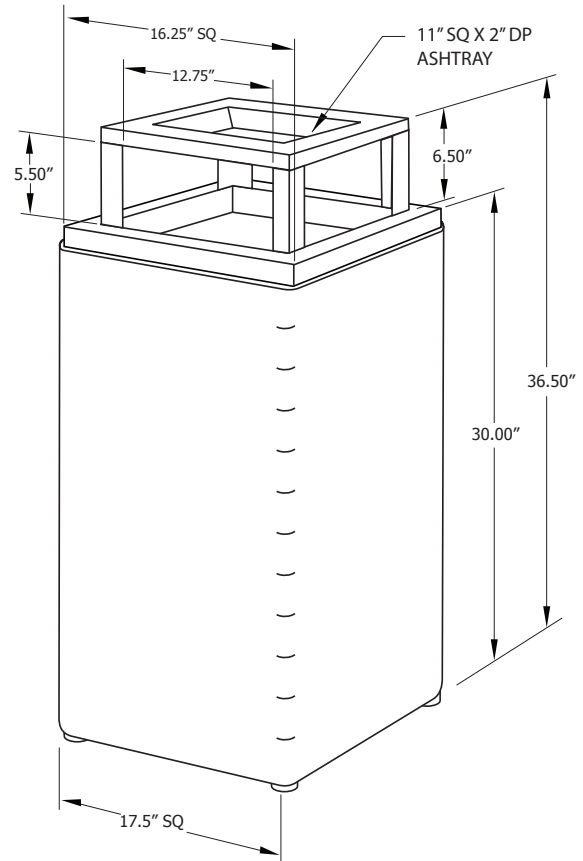
5 lb bag **SAND5**

10 lb bag **SAND10**

25 lb bag **SAND25**

50 lb bag **SAND50**

Ash Sifter 5" diameter **SIFTER**



**Shipping Information**

Unit Wt.	Unit Shipping Wt. UPS	Unit Shipping Wt. Truck (1+ Units)	Unit Ship Size w/Pallet	Max Units per Pallet	Pallet Wt. (36" x 36")	Total No. Pkgs	Shipping Class
185 lbs	N/A	216 lbs/unit	24 cu. ft.	4	28 lbs	1	70