

**Material**

The 20-gallon receptacle is comprised 2" thick cast aggregate. The receptacle includes rubber feet and a rain bonnet top made of an aluminum frame and high density plastic panel covering a 11.63" square by 1.5" deep high density plastic ashtray. The receptacle comes with a supply of black beauty sand substitute and includes a 14" web security strap.

The reusable plastic liner is made of black high-density polyethylene.

The receptacle is designed to be portable, allowing for flexibility in placement.

**Finish**

The aggregate is cast in a durable epoxy resin that remains clear and bright throughout its life.

**Color**

See website or sales representative for color choices.

**Assembly**

The receptacle arrives fully assembled for immediate use on site.

**Maintenance**

Maintenance-free. To clean, spray with a power washer.

**PCS20LRB  
STRUCTURE RECEPTACLE**  
20-gallon cast aggregate receptacle  
with rain bonnet top, ashtray, and  
plastic liner

**Replacement Parts**

Black Plastic Liner **R-PCS20LNR**

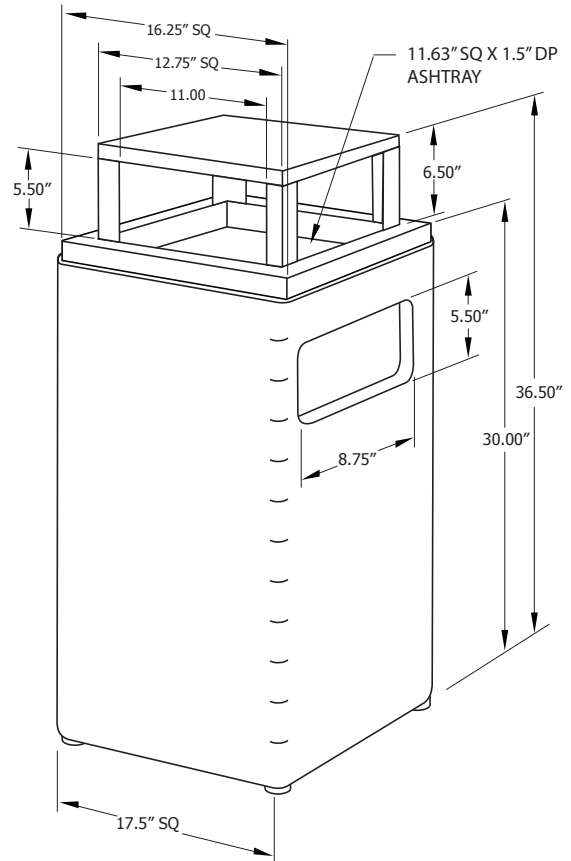
**Accessories**

Hold Down Kit **PCSHLD**

Black Beauty Sand Replacement:

- 5 lb bag **SAND5**
- 10 lb bag **SAND10**
- 25 lb bag **SAND25**
- 50 lb bag **SAND50**

Ash Sifter 5" diameter **SIFTER**



**Shipping Information**

Unit Wt.	Unit Shipping Wt. UPS	Unit Shipping Wt. Truck (1+ Units)	Unit Ship Size w/Pallet	Max Units per Pallet	Pallet Wt. (36" x 36")	Total No. Pkgs	Shipping Class
191 lbs	N/A	214 lbs/unit	27 cu. ft.	4	28 lbs	1	70