



PCS20IAC STRUCTURE RECEPTACLE

20-gallon cast aggregate
receptacle with graphic insert,
covered ashtray, and plastic liner

Replacement Parts

Black Plastic Liner **R-PCS20LNR**

Accessories

Hold Down Kit **PCSHLD**

Black Beauty Sand Replacement:

5 lb bag **SAND5**
10 lb bag **SAND10**
25 lb bag **SAND25**
50 lb bag **SAND50**

Ash Sifter 5" diameter **SIFTER**

Material

The 20-gallon receptacle is comprised 1.5" thick cast aggregate. The receptacle includes an aluminum frame top and ashtray with attached durable plastic cover.

The top is made of high-density polyethylene that will not chip, crack or dent. The top features a 1.5" deep by 11.63" square ash tray, comes with a supply of black beauty sand substitute, and includes a 14" web security strap.

The receptacle features a 22" x 10" graphic insert. The customer can choose between seven different variations of "no smoking" or "smoking area".

The reusable plastic liner is made of black high-density polyethylene.

The receptacle is designed to be portable, allowing for flexibility in placement.

Finish

The aggregate is cast in a durable epoxy resin that remains clear and bright throughout its life.

Color

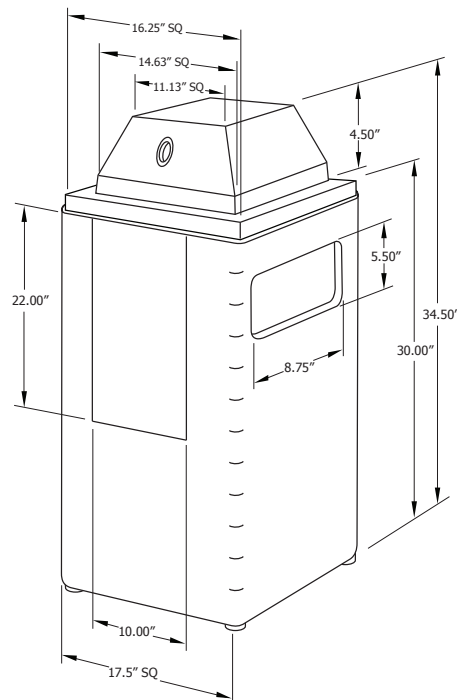
See website or sales representative for color choices.

Assembly

The receptacle arrives fully assembled for immediate use on site.

Maintenance

Maintenance-free. To clean, spray with a power washer.



Shipping Information

Unit Wt.	Unit Shipping Wt. UPS	Unit Shipping Wt. Truck (1+ Units)	Unit Ship Size w/Pallet	Max Units per Pallet	Pallet Wt. (36" x 36")	Total No. Pkgs	Shipping Class
189 lbs	N/A	212 lbs/unit	30 cu. ft.	4	28 lbs	1	70