

PCS16RB
STRUCTURE RECEPTACLE
 16-gallon cast aggregate receptacle
 with rain bonnet top

Replacement Parts

Black Plastic Liner **R-PCS16PLR**

Accessories

Hold Down Kit **PCSHLD**

Material

The 16-gallon receptacle is composed of 2" thick cast aggregate. The receptacle includes rubber feet and a rain bonnet top made of an aluminum frame and high density plastic. The bonnet top lifts off for easy trash disposal. The receptacle includes a 14" web security strap.

The reusable plastic liner is made of black high-density polyethylene.

The receptacle is designed to be portable, allowing for flexibility in placement.

Finish

The aggregate is cast in a durable epoxy resin that remains clear and bright throughout its life.

Color

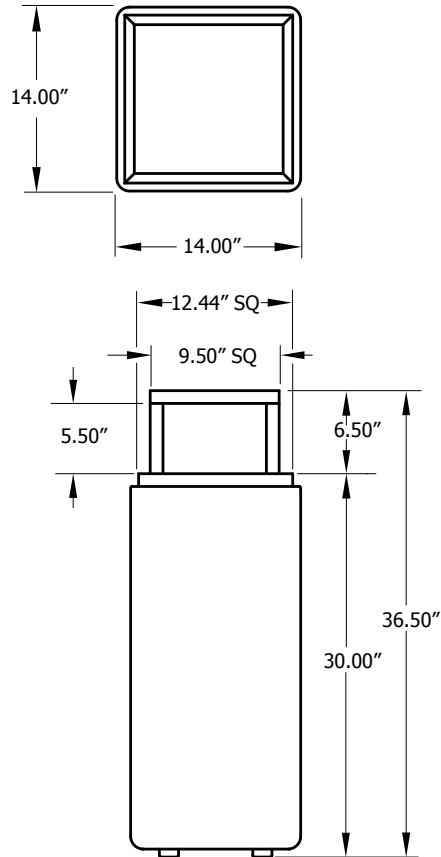
See website or sales representative for color choices.

Assembly

The receptacle arrives fully assembled for immediate use on site.

Maintenance

Maintenance-free. To clean, spray with a power washer.



Shipping Information

| Unit Wt. | Unit Shipping Wt. UPS | Unit Shipping Wt. Truck (1+ Units) | Unit Ship Size w/Pallet | Max Units per Pallet | Pallet Wt. (36" x 36") | Total No. Pkgs | Shipping Class |
|----------|-----------------------|------------------------------------|-------------------------|----------------------|------------------------|----------------|----------------|
| 134 lbs | N/A | 134 lbs/unit | 32 cu. ft. | 4 | 28 lbs | 1 | 70 |