



**P48AGHT**  
**ESSENCE RECEPTACLE**  
 48-gallon bonded aggregate panel receptacle with push-door top and plastic liner

**Replacement Parts**

Black Plastic Liner **R-P48PLR**

**Accessories**

Hold Down Kit **PANELHLD**

**Material**

The 48-gallon receptacle is composed of .5" thick aggregate and epoxy bonded to a hardboard substrate and supported by a non-rusting aluminum frame. The receptacle includes a vacuum formed high-density polyethylene push door-top with embossed "THANK YOU" message. The top lifts off for easy trash removal. The receptacle top also includes a 14" web security strap.

The reusable plastic liner is made of black high-density polyethylene.

The receptacle is designed to be portable, allowing for flexibility in placement.

**Finish**

The aggregate is cast in a durable epoxy resin that remains clear and bright throughout its life.

**Color**

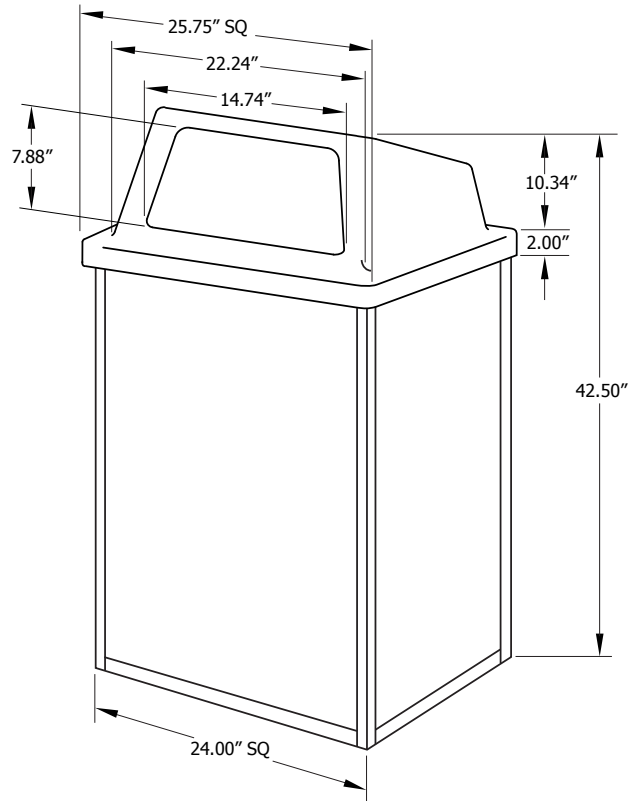
See website or sales representative for color choices.

**Assembly**

The receptacle arrives fully assembled for immediate use on site.

**Maintenance**

Maintenance-free. To clean, spray with a power washer.



**Shipping Information**

Unit Wt.	Unit Shipping Wt. UPS	Unit Shipping Wt. Truck (1+ Units)	Unit Ship Size w/Pallet	Max Units per Pallet	Pallet Wt.	Total No. Pkgs	Shipping Class
167 lbs	N/A	183 lbs/unit	16 cu. ft.	N/A	N/A	1	125