

MIX2937R — Mixx Recycle Plastic Bar Height Stool

Bar Height Stool with recycle plastic planks and steel frame and legs, portable

Material

The 15.32" square bar height stool is composed of 0.75" x 3.5" (1" x 4" nominal dimensions) recycle plastic seat planks. The frame and supports are made of 14-gauge steel and are designed to support 200 lbs. per linear foot.

The stool is designed to be portable for flexibility in placement. Each foot features a stainless steel adjustable glide for leveling and to protect your floors. Matching tables are also available.

The planks are made of 95% recycled content by weight and are impervious to moisture and corrosion, do not require the application of sealants or preservatives, and will never need painting or staining throughout the product's life.

Finish

Fade-resistant, powder coated steel components feature a state-of-the-art primer proven to prevent rusting. Treated components exceed the industry standard by 34% in testing by independent sources.

Color

See website or sales representative for color choices.

Assembly

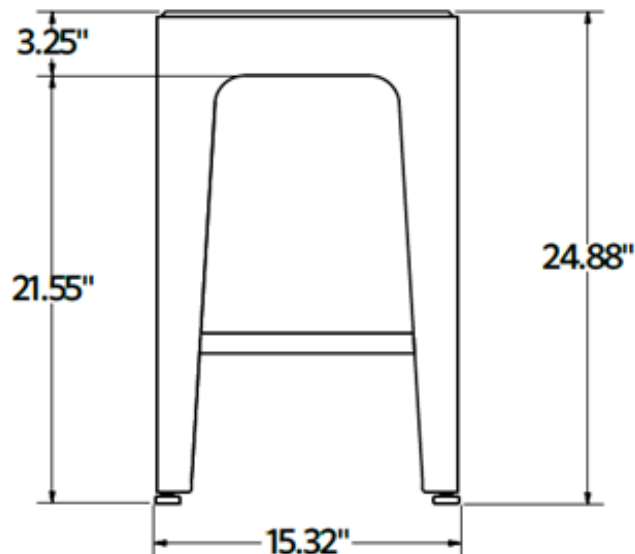
The stool ships fully assembled. Leveling foot glides may require adjustments.

Maintenance

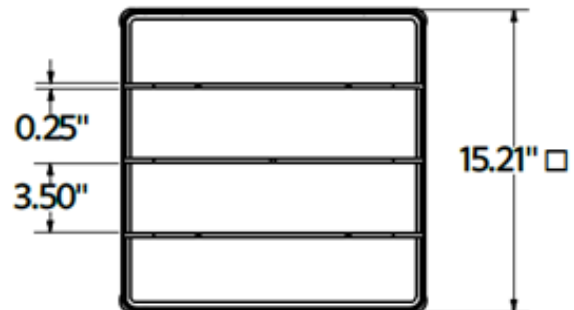
The product is virtually maintenance-free and requires only periodic cleaning with a sponge and a solution of mild detergent and water to remove surface dirt. Do not clean with solvent or petroleum base products.

Warranty

20-year limited structural warranty on recycle plastic from the date of purchase.



FRONT VIEW



TOP VIEW

SHIPPING INFORMATION

Unit Weight	Unit Shipping Wt. UPS	Unit Shipping Wt. Truck (1+ Units)	Unit Ship Size w/Pallet	Max Units Per Pallet	Pallet Size/Wt. (32" X 48")	Total No. Pkgs.	Shipping Class
32 lbs.	N/A	36 lbs./unit	26.67 cu. ft.	4	50 lbs.	1	250