



LBRCPSURF MARQUEE BIKE RACK

3-bike capacity, powder coated,
surface mount bike rack

Material

The bike rack is 14.38" wide and can accommodate 3 bicycles. The rack is made from 2.38" O.D. x 10-gauge wall steel tubing. The product is protected by a fade resistant powder coat finish featuring a state of the art primer proven to prevent rusting. The legs feature a 5" diameter mounting plate with predrilled holes for surface attachment. Mounting hardware is not included.

Finish

Fade-resistant powder coated steel components feature a state-of-the art primer proven to prevent rusting. Treated components exceed the industry standard by 34% in testing by independent sources.

Color

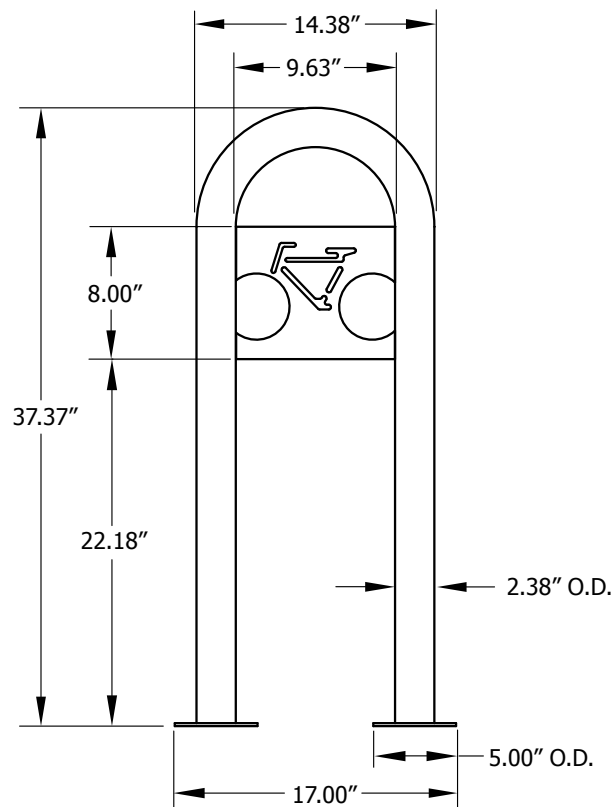
See website or sales representative for color choices.

Assembly

The bike rack requires no assembly except for the surface mounting.

Maintenance

The product is virtually maintenance-free and requires only periodic cleaning with a sponge and a solution of mild detergent and water to remove surface dirt. Do not clean with solvent or petroleum based products.



Shipping Information

Unit Wt.	Unit Shipping Wt. UPS (1-2 Units)	Unit Shipping Wt. Truck (3+ Units)	Unit Ship Size w/Pallet	Max Units per Pallet	Pallet Wt. (48" x 32")	Total No. Pkgs	Shipping Class
19 lbs	24 lbs/unit	24 lbs/unit	11 cu. ft.	12	50 lbs	1	70