



**LBR5PVCING**  
**METRO BIKE RACK**  
5-bike capacity, plastisol coated, in ground mount bike rack

**Material**

The bike rack is 39.38" wide and can accommodate 5 bicycles. The rack is made from 2.38" O.D. x 10-gauge wall steel tubing. The product is plastisol coated with an average thickness of .125" and finished with a high-gloss patented TopCoat®. The legs are designed to extend 10" into the ground for a sturdy in ground mount.

**Finish**

TopCoat™ patented high-gloss finish resists UV deterioration, mildew, staining and fading.

The TopCoat finish has been tested to the requirements of ASTM E 1354 and is determined to be in compliance with California Uniform Fire Code 1103.2.1.4.2.

**Color**

This product is available in the following vibrant colors: Black, Blue, Bronze, Brown, Burgundy, Camel, Charcoal, Evergreen, Gray, Navy, Orange, Purple, Red, Sage, Silver, Teal, Vanilla, White, and Yellow.

**Assembly**

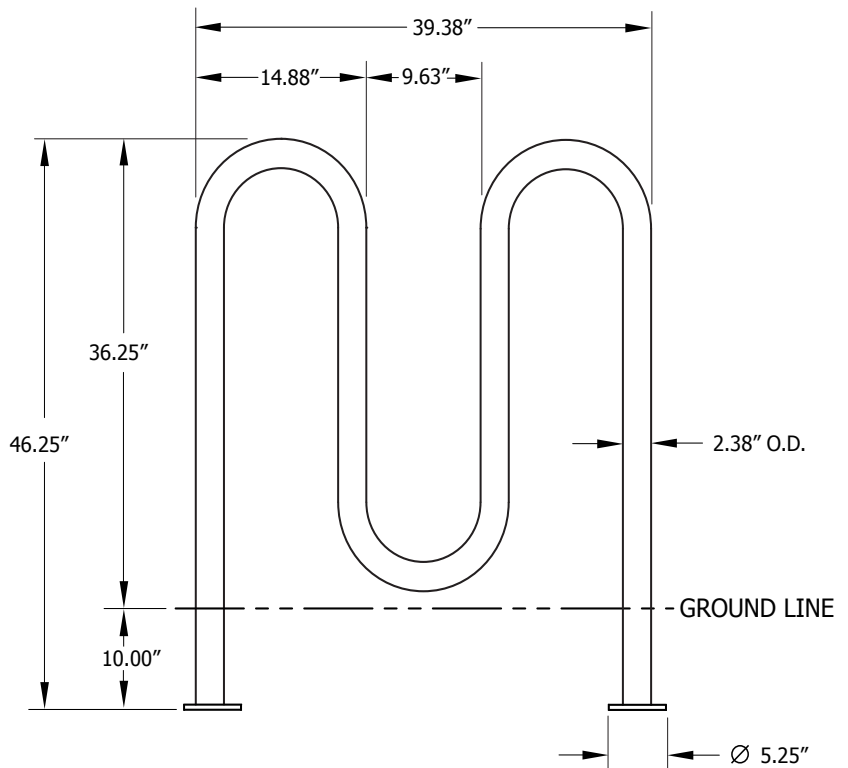
The bike rack requires no assembly except for the in ground mounting.

**Maintenance**

The product is virtually maintenance-free and requires only periodic cleaning with a sponge and a solution of mild detergent and water to remove surface dirt. Do not clean with solvent or petroleum based products.

**Warranty**

This product is covered by a 20-year limited structural warranty with a 7-year finish warranty from the date of purchase.



**Shipping Information**

Unit Wt.	Unit Shipping Wt. UPS	Unit Shipping Wt. Truck (1+ Units)	Unit Ship Size w/Pallet	Max Units per Pallet	Pallet Wt. (48" x 48")	Total No. Pkgs	Shipping Class
62 lbs	N/A	68 lbs/unit	14 cu. ft.	8	50 lbs	1	70