

LBR3MASURF
MULTI-AXIS BIKE RACK
 3-bike capacity, multi-axis,
 powder coated, surface mount
 bike rack

Material

The bike rack is 30" long and 17" wide and can accommodate 3 bicycles. The rack is made from 2.38" O.D. x 10-gauge wall steel tubing. The product is protected with FusionGuard® rust protection and is finished with a high-gloss powder coat. The legs feature a 5" diameter mounting plate with three .5" diameter holes for surface mounting. Mounting hardware is not included.

Finish

FusionGuard® primer is applied to all under supports, providing extreme rust fighting protection and durability. Components treated with FusionGuard exceed industry standard by 34% in testing by independent sources.

Color

This product is available in the following vibrant colors: Black, Blue, Bronze, Brown, Burgundy, Camel, Charcoal, Evergreen, Gray, Navy, Orange, Purple, Red, Sage, Silver, Teal, Vanilla, White, and Yellow.

Assembly

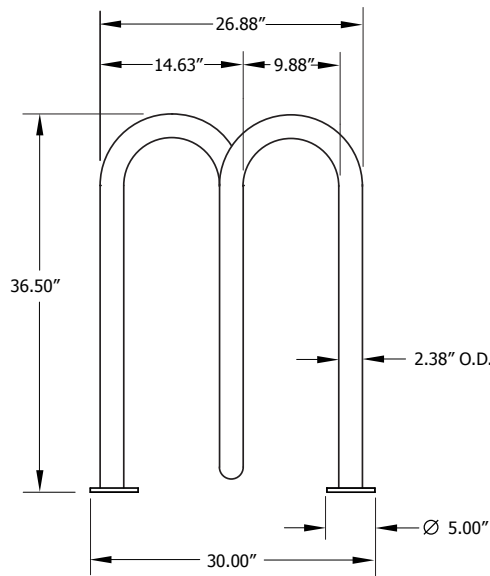
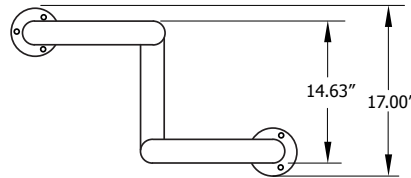
The bike rack requires no assembly except for the surface mounting.

Maintenance

The product is virtually maintenance-free and requires only periodic cleaning with a sponge and a solution of mild detergent and water to remove surface dirt. Do not clean with solvent or petroleum based products.

Warranty

This product is covered by a 20-year limited structural warranty with a 5-year finish warranty from the date of purchase.



Shipping Information

Unit Wt.	Unit Shipping Wt. UPS (1 Unit)	Unit Shipping Wt. Truck (2+ Units)	Unit Ship Size w/Pallet	Max Units per Pallet	Pallet Wt. (32" x 48")	Total No. Pkgs	Shipping Class
42 lbs	47 lbs	47 lbs/unit	33 cu. ft.	2	50 lbs	1	70