

Material

The bike rack is 30" long and 17" wide and can accommodate 3 bicycles. The rack is made from 2.38" O.D. x 10-gauge wall steel tubing. The product is protected with FusionGuard® rust protection and is finished with a high-gloss powder coat. The legs feature a 5" diameter mounting plate with three .5" diameter holes for surface mounting. Mounting hardware is not included.

Finish

Fade-resistant powder coated steel components feature a state-of-the art primer proven to prevent rusting. Treated components exceed the industry standard by 34% in testing by independent sources.

Color

See website or sales representative for color choices.

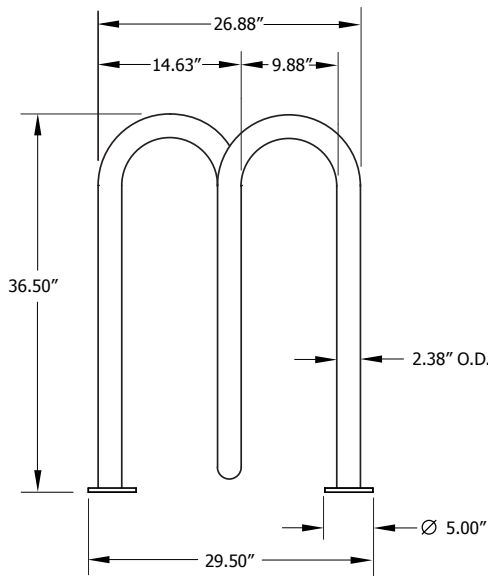
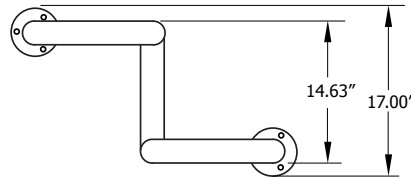
Assembly

The bike rack requires no assembly except for the surface mounting.

Maintenance

The product is virtually maintenance-free and requires only periodic cleaning with a sponge and a solution of mild detergent and water to remove surface dirt. Do not clean with solvent or petroleum based products.

**LBR3MASURF
MULTI-AXIS BIKE RACK**
3-bike capacity, multi-axis,
powder coated, surface mount
bike rack



Shipping Information

| Unit Wt. | Unit Shipping Wt. UPS | Unit Shipping Wt. Truck (1+ Units) | Unit Ship Size w/Pallet | Max Units per Pallet | Pallet Wt. (32" x 48") | Total No. Pkgs | Shipping Class |
|----------|-----------------------|------------------------------------|-------------------------|----------------------|------------------------|----------------|----------------|
| 42 lbs | N/A | 47 lbs/unit | 33 cu. ft. | 2 | 50 lbs | 1 | 70 |