

# L1430M

## REFLECTIONS RECEPTACLE

30-gallon slotted steel square receptacle with flat top and plastic liner

### Material

The 30-gallon receptacle body is made of 12-gauge slotted steel with a .38" wide gap uniform pattern. A flat 14-gauge steel top and plastic liner are included. The receptacle and top are protected by Fusion Advantage™, a plastisol coating with an average .125" thickness and a high-gloss powder coat.

The reusable 30-gallon plastic liner is made of high density polyethylene.

### Options and Accessories

Optional mounting kits for various applications are available.

### Finish

Fusion Advantage is a heat fused plastisol coating that creates an impervious rustproof barrier and resists UV deterioration, mildew, staining and fading.

The finish has been tested to the requirements of ASTM E1354 and is determined to be in compliance with California Uniform Fire Code 1103.2.1.4.2.

### Color

This product is available in the following vibrant colors: Black, Blue, Bronze, Brown, Burgundy, Camel, Charcoal, Evergreen, Gray, Navy, Orange, Purple, Red, Sage, Silver, Teal, Vanilla, White, and Yellow.

### Assembly

No assembly is required. Purchase of mounting options may require some assembly.

### Maintenance

The product is virtually maintenance-free and requires only periodic cleaning with a sponge and a solution of mild detergent and water to remove surface dirt. Do not clean with solvent or petroleum based products.

### Warranty

20-year limited structural warranty with 7-year finish warranty from the date of purchase.

### Replacement Parts

Flat Metal Top **L1435**

30-Gal. Black Plastic Liner **L1437**

### Accessories

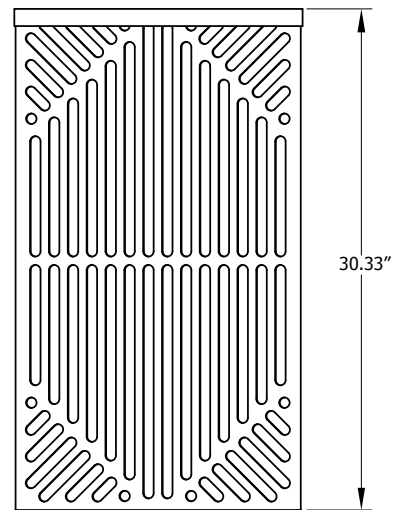
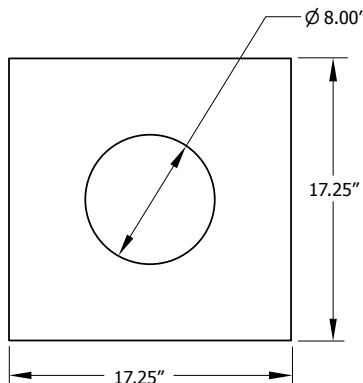
Traditional Inground Mount **F1094**

Traditional Surface Mount **F1098**

45° Surface Mount **F1406**

45° Inground Mount **F1407**

Corkscrew Anchor **A1020**



### Shipping Information

| Unit Wt. | Unit Shipping Wt. UPS (1-3 units) | Unit Shipping Wt. Truck (4+ Units) | Unit Ship Size w/Pallet | Max Units per Pallet | Pallet Wt. (74" x 32") | Total No. Pkgs | Shipping Class |
|----------|-----------------------------------|------------------------------------|-------------------------|----------------------|------------------------|----------------|----------------|
| 73 lbs   | 80 lbs/unit                       | 80 lbs/unit                        | 32 cu. ft.              | 8                    | 50 lbs                 | 1              | 100            |