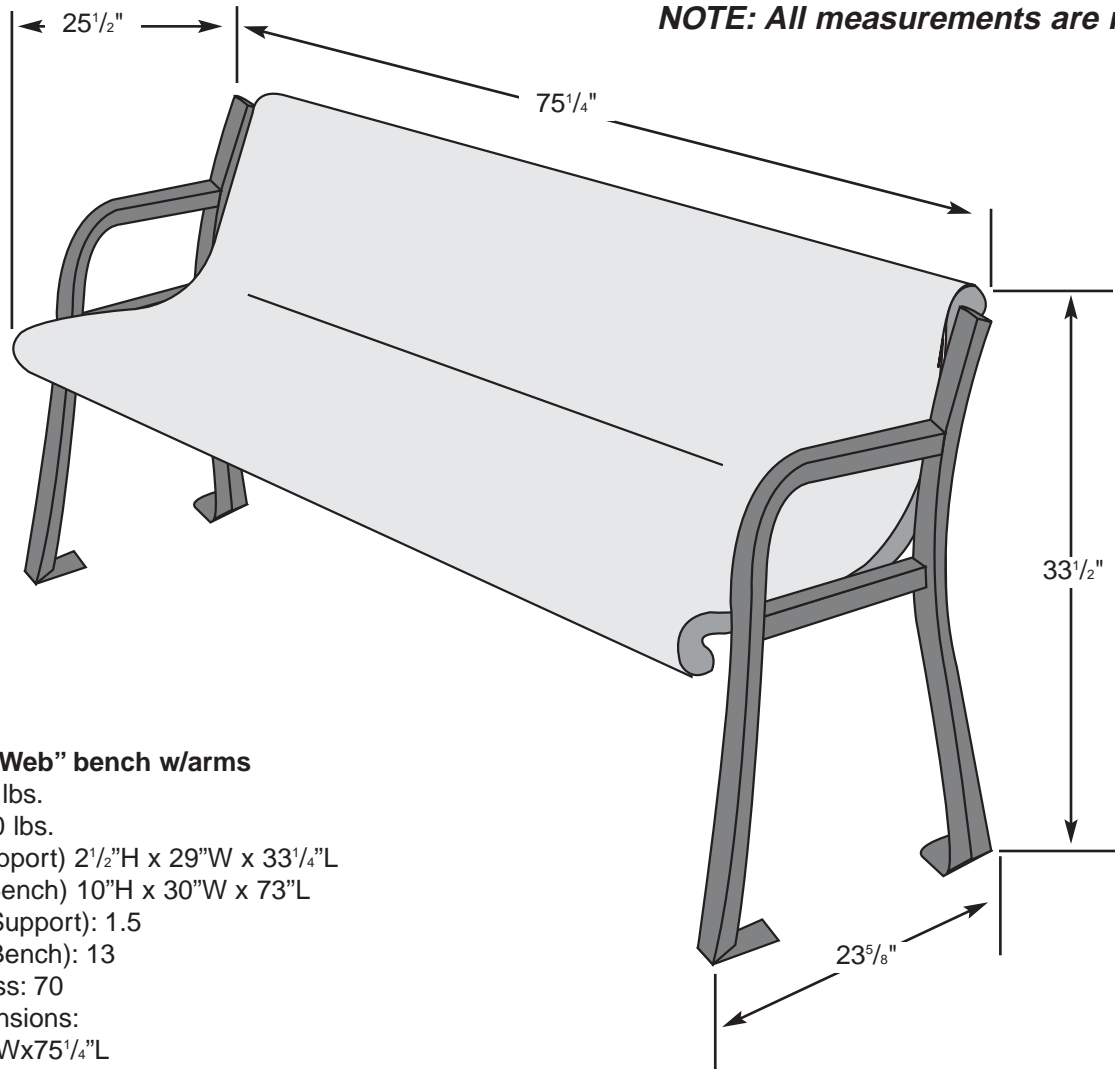


specification sheet



L1427- "The Web" bench w/arms

Unit Wt.: 135 lbs.

Ship. Wt.: 260 lbs.

Box Size (Support) 2 $\frac{1}{2}$ "H x 29"W x 33 $\frac{1}{4}$ "L

Pallet Size (Bench) 10"H x 30"W x 73"L

Cubic Feet (Support): 1.5

Cubic Feet (Bench): 13

Shipping Class: 70

Overall Dimensions:

33 $\frac{1}{2}$ "Hx25 $\frac{1}{2}$ "Wx75 $\frac{1}{4}$ "L

L1423- "Sunburst" bench w/arms

Unit Wt.: 160 lbs.

Ship. Wt.: 290 lbs.

Box Size (Support) 2 $\frac{1}{2}$ "H x 29"W x 33 $\frac{1}{4}$ "L

Pallet Size (Bench) 10"H x 30"W x 73"L

Cubic Feet (Support): 1.5

Cubic Feet (Bench): 13

Shipping Class: 70

Overall Dimensions:

33 $\frac{1}{2}$ "Hx25 $\frac{1}{2}$ "Wx75 $\frac{1}{4}$ "L

L1425- "Narrowing the Gap" bench w/arms

Unit Wt.: 135 lbs.

Ship. Wt.: 260 lbs.

Box Size (Support) 2 $\frac{1}{2}$ "H x 29"W x 33 $\frac{1}{4}$ "L

Pallet Size (Bench) 10"H x 30"W x 73"L

Cubic Feet (Support): 1.5

Cubic Feet (Bench): 13

Shipping Class: 70

Overall Dimensions:

33 $\frac{1}{2}$ "Hx25 $\frac{1}{2}$ "Wx75 $\frac{1}{4}$ "L

NOTE: This sheet should not be used for assembly, please call for assembly instructions