

L1418 — Ultra 6' Slotted Steel Flat Bench, Inground Mount

6' flat bench with slotted steel, rolled edge seat and steel inground mount legs

Material

The 6' flat bench seat is composed of 12-gauge slotted steel with a .44 wide gap and features a rolled edge. The bench seat is 72.38" long and will support 200 lbs. per linear foot.

The bench leg/armrests are made of 2 3/8" O.D. steel tubing and designed to be mounted 15.95" deep for a sturdy support.

Finish

Steel seat is protected by the patented Fusion Advantage™ finish. The plastisol coating has an average thickness of .125" and is encapsulated with a richly tinted, high performance coating that won't rust, fade, peel, chip, crack, mold or mildew. The finish has been tested to the requirements of ASTM E1354 and determined to be in compliance with California Uniform Fire Code 1103.2.1.4.2.

Fade-resistant, powder coated steel leg/armrests features a state-of-the-art primer proven to prevent rusting. Treated components exceed the industry standard by 34% in testing by independent sources.

Color

See website or sales representative for color choices.

Assembly

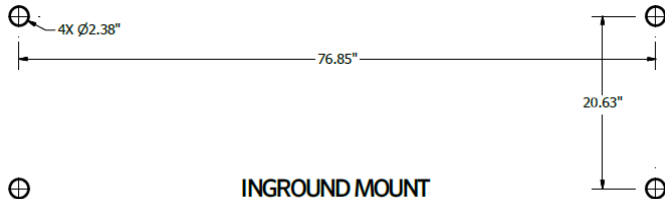
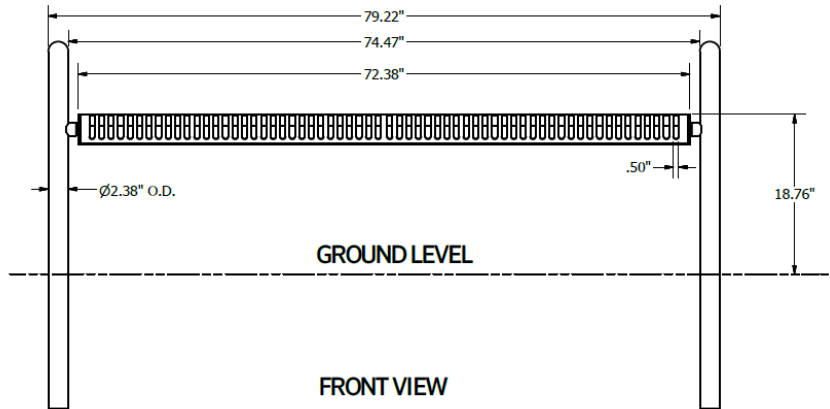
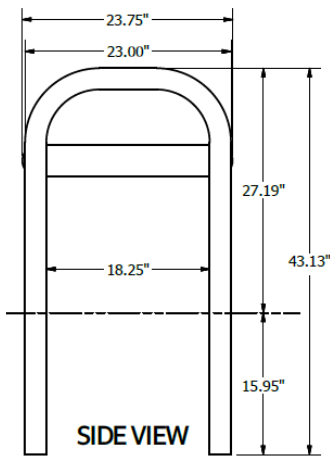
The bench requires some assembly. Stainless steel assembly hardware is included. The inground mounting requires site preparation and construction of a temporary support.

Maintenance

The product is virtually maintenance-free and requires only periodic cleaning with a sponge and a solution of mild detergent and water to remove surface dirt. Do not clean with solvent or petroleum base products.

Warranty

20-year limited structural warranty with 7-year finish warranty from the date of purchase.



SHIPPING INFORMATION

Unit Weight	Unit Shipping Wt. UPS	Unit Shipping Wt. Truck (1+ Units)	Unit Ship Size w/Pallet	Max Units Per Pallet	Pallet Size/Wt. (32" x 74")	Total No. Pkgs.	Shipping Class
138 lbs.	N/A	149 lbs./unit	27.41 cu. ft.	4	100	2	100