



**L1408D**  
**REFLECTIONS RECEPTACLE**  
 32-gallon plastisol coated, slotted  
 steel receptacle with plastic dome  
 top and black plastic liner

**Material**

The 32-gallon receptacle body is made of 12-gauge slotted steel with .44" wide vertical slots and .81" wide diagonal slots. The receptacle is plastisol coated with an average thickness of .125" and finished with a high-gloss patented TopCoat®. The plastic dome top features a 7.44" x 12.50" self-closing door.

The reusable 32-gallon plastic liner is made of black high-density polyethylene.

**Options and Accessories**

Optional mounting kits for various applications are available.

**Finish**

Fusion Advantage is a heat fused plastisol coating that creates an impervious rustproof barrier and resists UV deterioration, mildew, staining and fading.

The finish has been tested to the requirements of ASTM E1354 and is determined to be in compliance with California Uniform Fire Code 1103.2.1.4.2.

**Color**

See website or sales representative for color choices.

**Assembly**

No assembly is required. Purchase of mounting options may require some assembly.

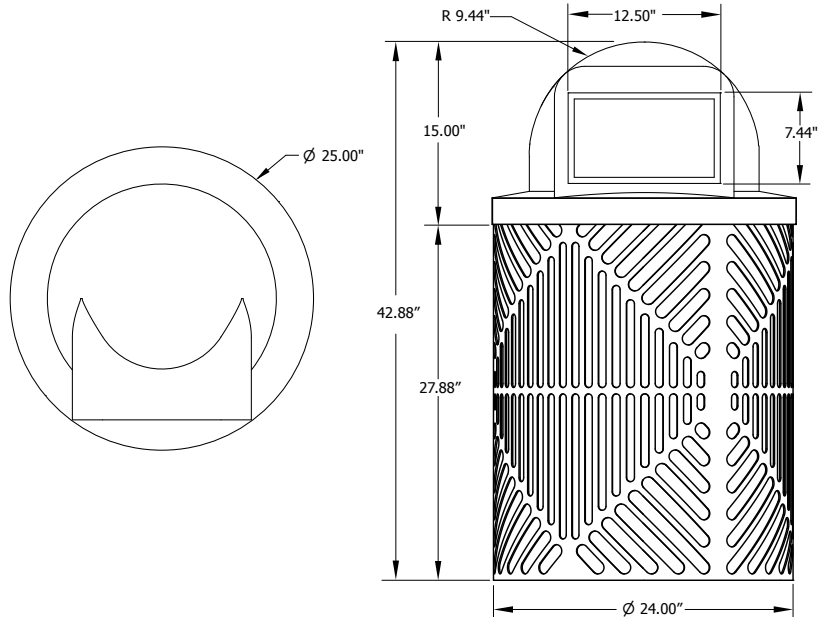
**Maintenance**

The product is virtually maintenance-free and requires only periodic cleaning with a sponge and a solution of mild detergent and water to remove surface dirt. Do not clean with solvent or petroleum based products.

**Replacement Parts**  
 Plastic Dome Top **F3015**

Black Plastic Liner **F1017**

**Accessories**  
 Traditional Inground Mount **F1094**  
 Traditional Surface Mount **F1098**  
 45° Surface Mount **F1406**  
 45° Inground Mount **F1407**  
 Corkscrew Anchor **A1020**



**Shipping Information**

Unit Wt.	Unit Shipping Wt. UPS (1 unit)	Unit Shipping Wt. Truck (2+ units)	Unit Ship Size w/Pallet	Max Units per Pallet	Pallet Wt. (48" x 48")	Total No. Pkgs	Shipping Class
77 lbs	145 lbs/unit	88 lbs/unit	32 cu. ft.	8	50 lbs	1	100