



L1406D
REFLECTIONS RECEPTACLE
32-gallon plastisol coated, slotted steel receptacle with plastic dome top and black plastic liner

Replacement Parts

Plastic Dome Top **F3015**

Black Plastic Liner **F1017**

Accessories

Traditional Inground Mount **F1094**

Traditional Surface Mount **F1098**

45° Surface Mount **F1406**

45° Inground Mount **F1407**

Corkscrew Anchor **A1020**

Material

The 32-gallon receptacle body is made of 12-gauge slotted steel with a .44" wide gap pattern. The receptacle is protected by Fusion Advantage™, a plastisol coating with an average .125" thickness and a high-gloss powder coat. The plastic dome top features a 7.44" x 12.50" self-closing door.

The reusable 32-gallon plastic liner is made of black high-density polyethylene.

Options and Accessories

Optional mounting kits for various applications are available.

Finish

Fusion Advantage is a heat fused plastisol coating that creates an impervious rustproof barrier and resists UV deterioration, mildew, staining and fading.

The finish has been tested to the requirements of ASTM E1354 and is determined to be in compliance with California Uniform Fire Code 1103.2.1.4.2.

Color

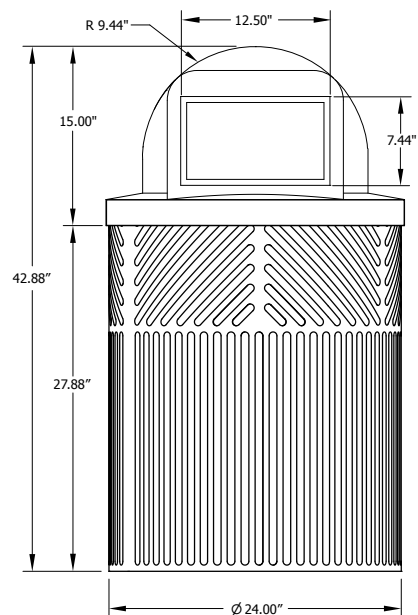
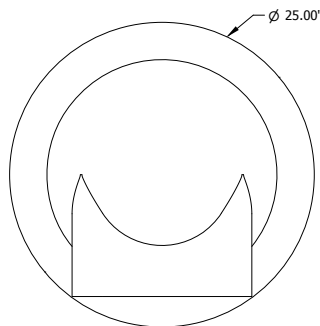
See website or sales representative for color choices.

Assembly

No assembly is required. Purchase of mounting options may require additional minor assembly.

Maintenance

The product is virtually maintenance-free and requires only periodic cleaning with a sponge and a solution of mild detergent and water to remove surface dirt. Do not clean with solvent or petroleum based products.



Shipping Information

Unit Wt.	Unit Shipping Wt. UPS (1 unit)	Unit Shipping Wt. Truck (2+ units)	Unit Ship Size w/Pallet	Max Units per Pallet	Pallet Wt. (48" x 48")	Total No. Pkgs	Shipping Class
73 lbs	145 lbs/unit	84 lbs/unit	32 cu. ft.	8	50 lbs	1	100