

**L1401— Latitude Bistro Table with 2 Contour Seats**

**36" diameter steel table with two contour seats, surface mount**

**Material**

The bistro table has a 36.25" diameter table top and features two contour seats. The solid surface top is 12-gauge steel and features a durable 1.5" square steel tube edge. The seats are 12-gauge steel with a .75" gap slotted pattern and feature a reinforced frame connection. The top also features a 1.64" diameter umbrella hole in the center. The top is designed to support 100 lbs. per square foot and the seats will support 200 lbs. per linear foot.

The table frame and legs are made of 2.38" O.D. steel tubing and feature a built-in umbrella holder. Table legs have steel feet with predrilled .5" diameter holes for surface mounting. **Surface mounting is required;** mounting hardware is not included.

**Finish**

Solid surface steel table top and steel slat seats are protected by the patented Fusion Advantage™ finish. The plastisol coating has an average thickness of .125" and is encapsulated with a richly tinted, high performance powder coating that won't rust, fade, peel, chip, crack, mold or mildew. The finish has been tested to the requirements of ASTM E1354 and determined to be in compliance with California Uniform Fire Code 1103.2.1.4.2.

Fade-resistant, powder coated steel frame and legs feature a state-of-the-art primer proven to prevent rusting. Treated components exceed the industry standard by 34% in testing by independent sources.

**Color**

See website or sales representative for color choices.

**Assembly**

The table requires some assembly. Stainless steel assembly hardware is included.

**Maintenance**

The product is virtually maintenance-free and requires only periodic cleaning with a sponge and a solution of mild detergent and water to remove surface dirt. Do not clean with solvent or petroleum base products.

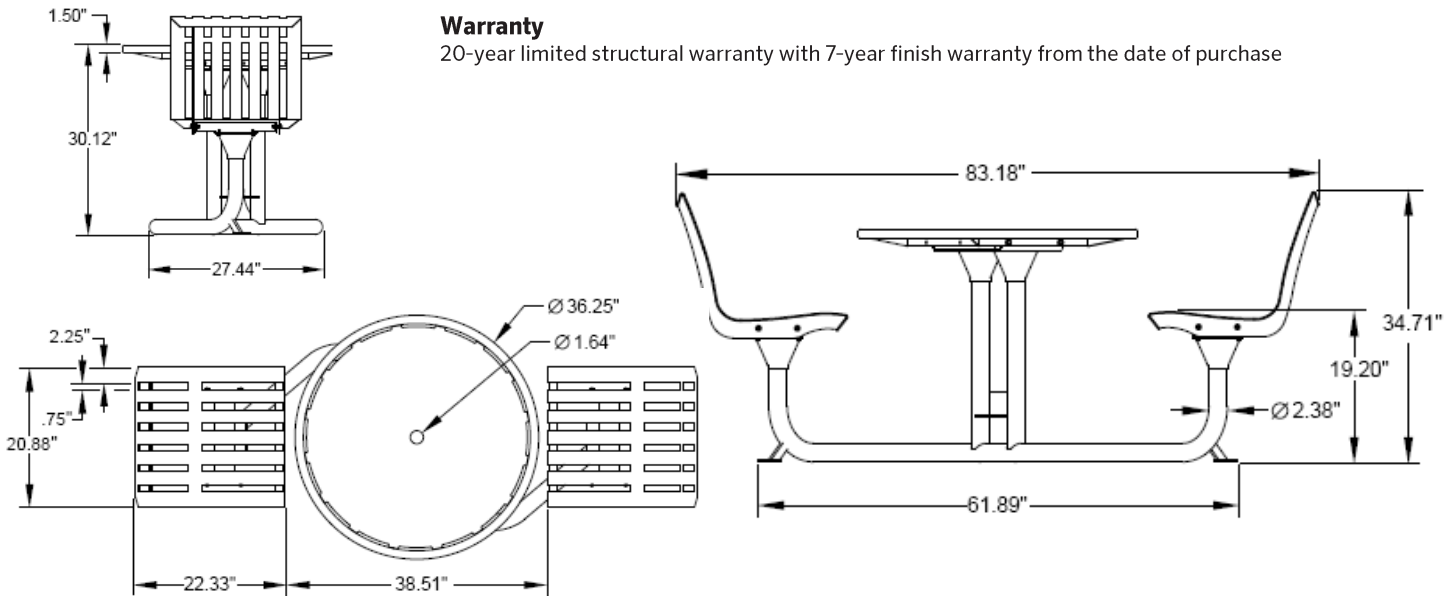
**Warranty**

20-year limited structural warranty with 7-year finish warranty from the date of purchase



**Accessories**

- 9' Standard Fabric Color Umbrella 9LPU-CSC
- 9' Premium Fabric Color Umbrella 9LPU-CPC
- U-Brace Umbrella Brace UBrace



**SHIPPING INFORMATION**

Unit Weight	Unit Shipping Wt. UPS	Unit Shipping Wt. Truck (1+ Units)	Unit Ship Size w/Pallet	Max Units Per Pallet	Pallet Size/Wt. (48" x 58")	Total No. Pkgs.	Shipping Class
197 lbs.	N/A	227 lbs./unit	95 cu. ft.	2	50 lbs.	5	250