



L1369 REFLECTIONS CONTOUR BENCH

6' slotted steel contour bench,
square ends, portable/surface
mount

Material

The bench seat is 72.25" long and is composed of 12-gauge slotted steel with a .75" gap slotted pattern. The seat is protected by Fusion Advantage™, a plastisol coating with an average .125" thickness and a high-gloss powder coat.

The bench legs and ends are 1.50" square steel tubing and are zinc plated for rust protection and finished with high-gloss powdercoat. The bench is designed to be portable for flexibility in placement, and the legs have tabs with predrilled holes for surface mounting to prevent movement. Mounting hardware is not included. The capacity of the bench is 200 lbs per linear foot.

Finish

Fusion Advantage is a heat fused plastisol coating that creates an impervious rustproof barrier and resists UV deterioration, mildew, staining and fading.

The finish has been tested to the requirements of ASTM E1354 and is determined to be in compliance with California Uniform Fire Code 1103.2.1.4.2.

Color

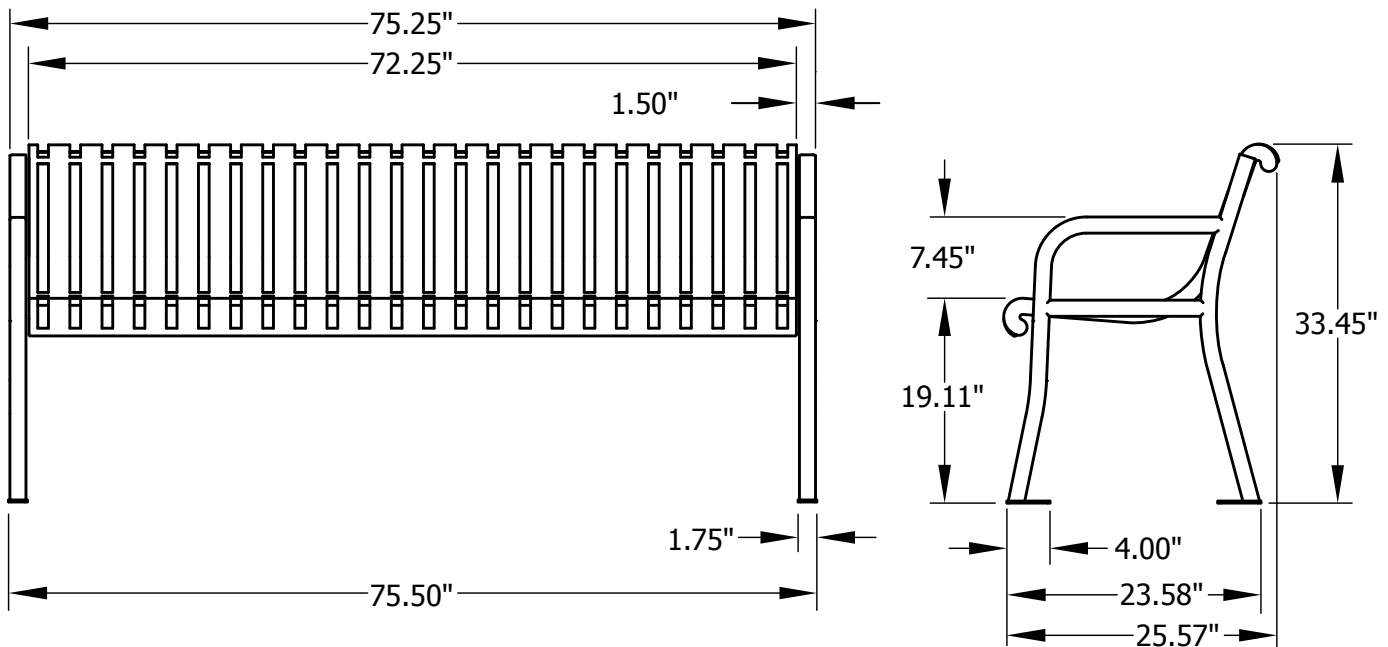
See website or sales representative for color choices.

Assembly

The bench requires some assembly. Stainless steel assembly hardware is included.

Maintenance

The product is virtually maintenance-free and requires only periodic cleaning with a sponge and a solution of mild detergent and water to remove surface dirt. Do not clean with solvent or petroleum based products.



Shipping Information

Unit Wt.	Unit Shipping Wt. UPS	Unit Shipping Wt. Truck (1+ Units)	Unit Ship Size w/Pallet	Max Units per Pallet	Pallet Wt. 74" x 32"	Total No. Pkgs	Shipping Class
139 lbs	N/A	161 lbs/unit	30 cu. ft.	5	100 lbs	2	70