

KTSXA
BALANCE RECEPTACLE
 16-gallon expanded steel and cast aggregate receptacle with front opening, ashtray, cast iron inserts, and reusable liner

Material

The 16-gallon receptacle is comprised of front and back panels of 3/4 #9 expanded steel with a diamond shaped pattern. The steel panels are plastisol coated with an average thickness of .125" and finished with a high-gloss patented TopCoat®. The side panels are made of 2" thick cast aggregate and feature decorative cast iron inserts. The receptacle includes a durable plastic top and rubber feet.

The top is made of high-density polyethylene that will not chip, crack or dent. The top features a 2" deep by 12" diameter ash tray, comes with a supply of black beauty sand substitute, and includes a 14" web security strap. The expanded steel panels feature 6" by 11.75" openings for easy waste disposal.

The reusable 16-gallon plastic liner is made of black high-density polyethylene.

The receptacle is designed to be portable, allowing for flexibility in placement.

Finish

The expanded steel panels feature a patented TopCoat, high-gloss finish which resists UV deterioration, mildew, staining and fading.

The TopCoat finish has been tested to the requirements of ASTM E 1354 and is determined to be in compliance with California Uniform Fire Code 1103.2.1.4.2.

The aggregate is cast in a durable epoxy resin that remains clear and bright throughout its life.

Color

Aggregate panels are available in Alpine Red, Black Lustre, Coffee Bean, Golden Glo, Mica, or Riverrock.

Expanded steel panels are available in Black, Brown, or Green.

Decorative cast iron inserts are available in Black, Brown, or Green.

Plastic tops are available in Black or Chocolate.

Assembly

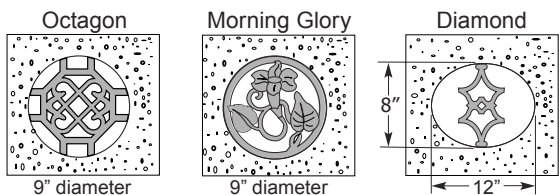
Receptacle ships fully assembled for immediate use on site.

Maintenance

Maintenance-free. To clean, spray with a power washer.

Warranty

This product is covered by a 20-year limited structural warranty with a 5-year finish warranty from the date of purchase.



Replacement Parts

Black Plastic Liner **R-TSXAPLR**

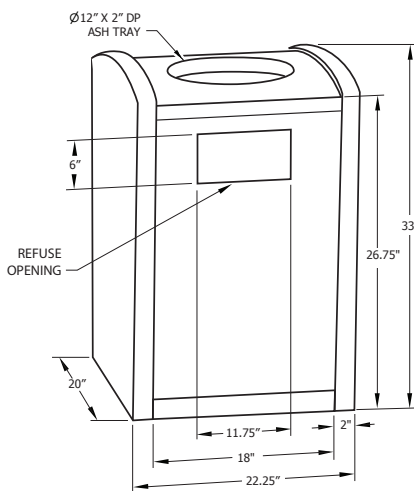
Accessories

Hold Down Kit **PCHLD**

Black Beauty Sand Replacement:

- 5 lb bag **SAND5**
- 10 lb bag **SAND10**
- 25 lb bag **SAND25**
- 50 lb bag **SAND50**

Ash Sifter 5" diameter **SIFTER**



Shipping Information

Unit Wt.	Unit Shipping Wt. UPS	Unit Shipping Wt. Truck (1+ Units)	Unit Ship Size w/Pallet	Max Units per Pallet	Pallet Wt. (30" x 30")	Total No. Pkgs	Shipping Class
169 lbs	NA	175 lbs/unit	20 cu. ft.	1	25 lbs	1	125