



KTSP
BALANCE RECEPTACLE
30-gallon perforated steel and cast aggregate receptacle with decorative cast iron inserts and reusable liner

Material

The 30-gallon receptacle is made of 12-gauge perforated steel front and back panels with a .63" diameter uniform hole pattern. The steel panels are plastisol coated with an average thickness of .125" and finished with a high-gloss patented TopCoat®. The 2" thick cast aggregate sides feature decorative cast iron inserts. The receptacle includes a durable plastic top and rubber feet.

The top is made of high-density polyethylene that will not chip, crack or dent. The top features a 12" diameter center opening for easy waste disposal and includes a 14" web security strap.

The reusable 30-gallon plastic liner is made of black high-density polyethylene. The receptacle is designed to be portable, allowing for flexibility in placement.

Finish

The perforated steel panels feature a patented TopCoat, high-gloss finish which resists UV deterioration, mildew, staining and fading.

The TopCoat finish has been tested to the requirements of ASTM E 1354 and is determined to be in compliance with California Uniform Fire Code 1103.2.1.4.2.

The aggregate is cast in a durable epoxy resin that remains clear and bright throughout its life.

Color

Aggregate panels are available in Alpine Red, Black Lustre, Coffee Bean, Golden Glo, Mica, or Riverrock.

Perforated steel panels are available in Black, Brown, or Green.

Plastic tops are available in Black or Chocolate.

Assembly

Receptacle ships fully assembled for immediate use on site.

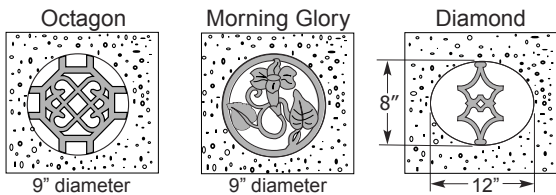
Maintenance

Maintenance-free. To clean, spray with a power washer.

Warranty

This product is covered by a 20-year limited structural warranty with a 5-year finish warranty from the date of purchase.

Cast Iron Insert Options

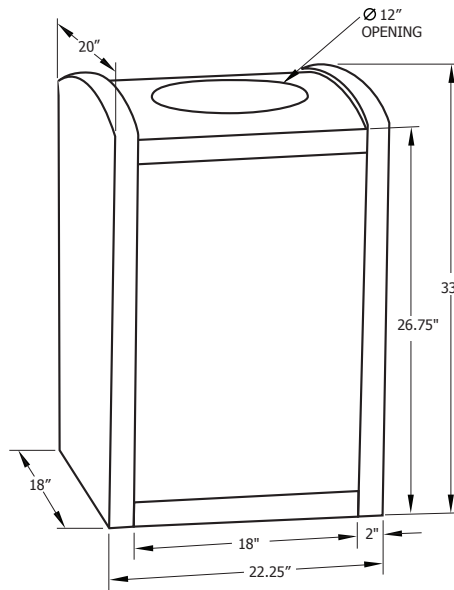


Replacement Parts

Black Plastic Liner **R-KTSPPLR**

Accessories

Hold Down Kit **PCSHLD**



Shipping Information

Unit Wt.	Unit Shipping Wt. UPS	Unit Shipping Wt. Truck (1+ Units)	Unit Ship Size w/Pallet	Max Units per Pallet	Pallet Wt. (30" x 30")	Total No. Pkgs	Shipping Class
177 lbs	NA	183 lbs/unit	20 cu. ft.	1	25 lbs	1	125