



**KTSPCBEN4**  
**BALANCE CONTOUR BENCH**  
 contour perforated steel bench with  
 cast aggregate end panels, plastic  
 armrests, and cast iron inserts

**Material**

The bench seat is 4' long and made of 12-gauge perforated steel with a .56" diameter uniform hole pattern. The seat is plastisol coated with an average thickness of .125" and finished with a high-gloss patented TopCoat®. The bench seat will support 200 lbs per linear foot.

The bench end panels are cast aggregate and feature plastic armrests and optional decorative cast iron inserts. They are designed to be portable, allowing for flexibility in placement.

**Finish**

The steel bench features a patented TopCoat, high-gloss finish which resists UV deterioration, mildew, staining and fading.

The TopCoat finish has been tested to the requirements of ASTM E 1354 and is determined to be in compliance with California Uniform Fire Code 1103.2.1.4.2.

The aggregate is cast in a durable epoxy resin that remains clear and bright throughout its life.

**Color**

Stone structures are available in Alpine Red, Black Lustre, Coffee Bean, Golden Glo, Mica, or Riverrock.

Steel bench components are available in Black, Brown, or Green.

Plastic armrests are available in Black or Chocolate.

Decorative cast iron inserts are available in Black, Brown, or Green.

**Assembly**

The benches require some assembly.

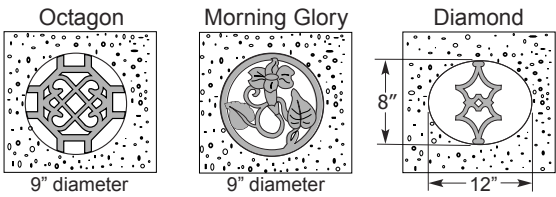
**Maintenance**

Maintenance-free. To clean, spray with a power washer.

**Warranty**

This product is covered by a 20-year limited structural warranty with a 5-year finish warranty from the date of purchase.

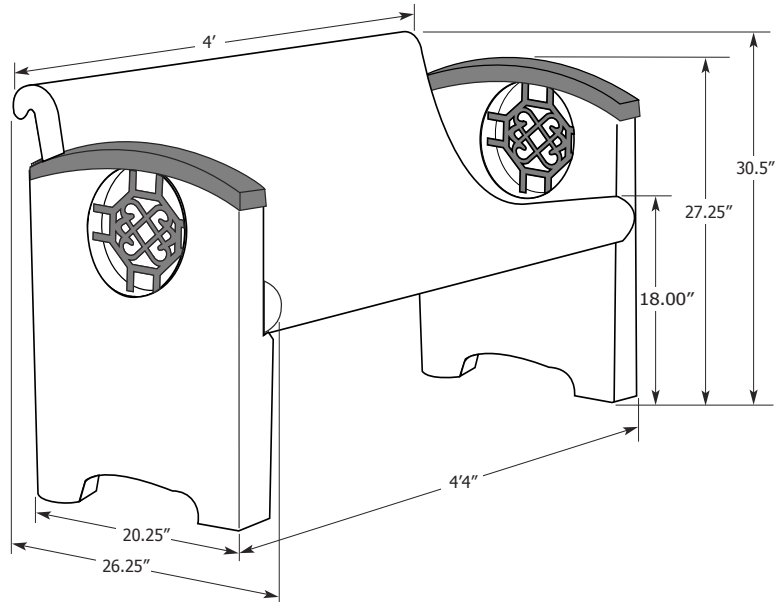
**Cast Iron Insert Options**



**Accessories**

Hold Down Kit

PCSHLD



**Shipping Information**

Unit Wt.	Unit Shipping Wt. UPS	Unit Shipping Wt. Truck (1+ Units)	Unit Ship Size w/Pallet	Max Units per Pallet	Pallet Wt. (36" x 36")	Total No. Pkgs	Shipping Class
260 lbs	(N/A)	282 lbs/unit	24 cu. ft.	1	29 lbs	2	70