

**Material**

The ash urn is made of cast aggregate on 20-gauge galvanized steel panels and a welded steel frame. The top is made of durable polyethylene and features two 1.13" diameter openings for ash disposal. The top has a stainless steel hinge to allow for easy removal of smoking waste. The urn has a sturdy base that is portable for flexibility in placement. The urn is 29" tall.

**Finish**

The aggregate is cast in a durable epoxy resin that remains clear and bright throughout its life.

**Color**

See website or sales representative for color choices.

**Assembly**

No assembly is required, the urn arrives assembled and ready for placement and use on site.

**Maintenance**

The product is virtually maintenance-free and requires only periodic cleaning with a sponge and a solution of mild detergent and water to remove surface dirt. Do not clean with solvent or petroleum based products.

**GURNAGAC**

**ESSENCE ASH URN**

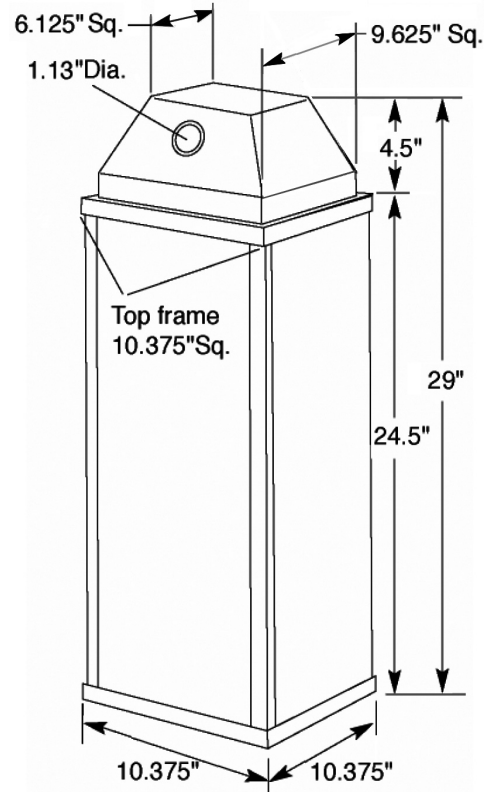
cast aggregate ash urn with 20-gauge galvanized steel panels, polyethylene ash cover, two openings, and stainless steel cover hinge

Accessories

Hold Down Kit **PANELHLD**  
 Black Plastic Liner **R-WR32PLR**

Black Beauty Sand Replacement:  
 5 lb bag **SAND5**  
 10 lb bag **SAND10**  
 25 lb bag **SAND25**  
 50 lb bag **SAND50**

Ash Sifter 5" diameter **SIFTER**



**Shipping Information**

Unit Wt.	Unit Shipping Wt. UPS (1-6 Units)	Unit Shipping Wt. Truck (7+ Units)	Unit Ship Size (No Pallet)	Max Units per Pallet	Pallet Wt.	Total No. Pkgs	Shipping Class
51 lbs	55 lbs/unit	55 lbs/unit	4 cu. ft.	N/A	N/A	1	125