

**GT3848AING - Guardian Stix 4' x 8' Tree Guard, Inground Mount**

**20.50" tall modular tree guard system with steel stix pattern panels and posts.**

**Material**

The tree guard panels are composed of 10-gauge perforated steel and the posts are made of 11-gauge steel. The panels feature a unique architectural perforated stix pattern inspired by trees and are 46" long and 16" tall.

The modular tree guard system offers the option of surface or inground mounting. The inground mounting posts are designed to extend 21.00" into the ground for a sturdy inground mount.

**Finish**

Powder coated steel components feature a state-of-the-art primer proven to prevent rusting. Treated components exceed the industry standard by 34% in testing by independent sources.

**Color**

See website or sales representative for color choices.

**Assembly**

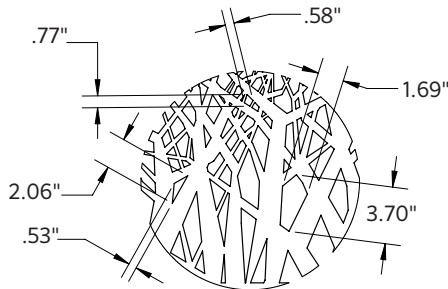
The tree guard system requires some assembly. Stainless steel assembly hardware is included.

**Maintenance**

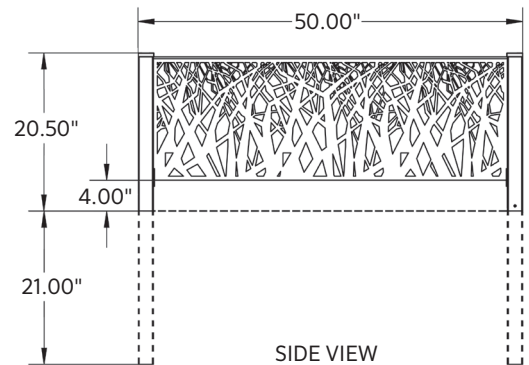
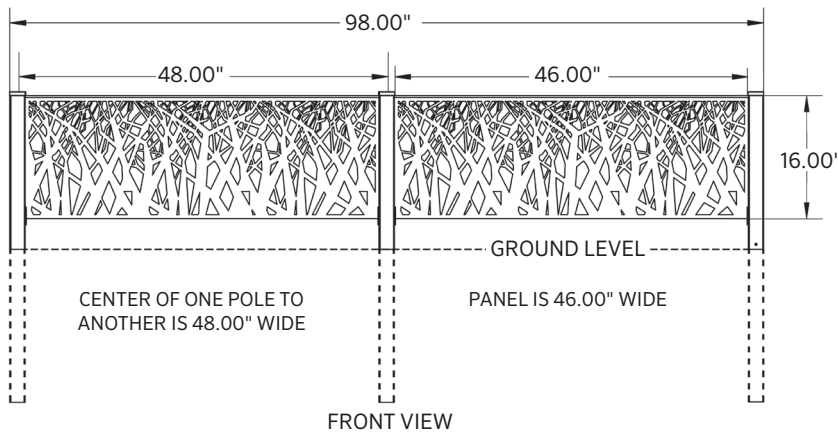
The product is virtually maintenance-free and requires only periodic cleaning with a sponge and a solution of mild detergent and water to remove surface dirt. Do not clean with solvent or petroleum base products.

**Warranty**

20-year limited structural warranty with 7-year finish warranty against fading from date of purchase.



STIX PATTERN CLOSE-UP



**SHIPPING INFORMATION**

Unit Weight	Unit Shipping Wt. UPS	Unit Shipping Wt. Truck (1+ Units)	Unit Ship Size w/ Pallet	Max Units Per Pallet	Pallet Size/Wt. (36" X 78")	Total No. Pkgs.	Shipping Class
218 lbs.	N/A	234 lbs./unit	12.53 cu. ft.	1	100 lbs.	12	65