



**Material**

The 8-gallon receptacle is composed of .5" thick aggregate and epoxy bonded to a hardboard substrate and supported by a non-rusting aluminum frame. The receptacle features two side openings for easy trash disposal and includes rubber feet and a flat ashtray top made of high density plastic 7.5" square by 2" deep. The ashtray top lifts off for easy trash removal. The receptacle comes with a supply of black beauty sand substitute.

The reusable plastic liner is made of black high-density polyethylene.

The receptacle is designed to be portable, allowing for flexibility in placement.

**Finish**

The aggregate is cast in a durable epoxy resin that remains clear and bright throughout its life.

**Color**

See website or sales representative for color choices.

**Assembly**

The receptacle arrives fully assembled for immediate use on site.

**Maintenance**

Maintenance-free. To clean, spray with a power washer.

**FT8AG  
ESSENCE RECEPTACLE  
8-gallon bonded aggregate  
panel receptacle with ashtray  
top and plastic liner**

**Replacement Parts**

Black Plastic Liner **R-FT8PLR**

**Accessories**

Hold Down Kit **PANELHLD**

Black Beauty Sand Replacement:

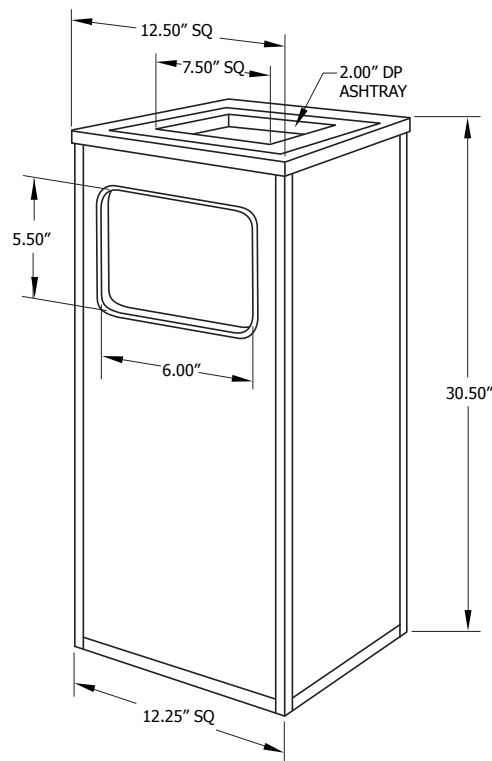
5 lb bag **SAND5**

10 lb bag **SAND10**

25 lb bag **SAND25**

50 lb bag **SAND50**

Ash Sifter 5" diameter **SIFTER**



**Shipping Information**

Unit Wt.	Unit Shipping Wt. UPS	Unit Shipping Wt. Truck (3+ Units)	Unit Ship Size w/Pallet	Max Units per Pallet	Pallet Wt.	Total No. Pkgs	Shipping Class
59 lbs	70 lbs/unit	70 lbs/unit	6 cu. ft.	N/A	N/A	1	125