

Material

The 8-gallon receptacle is composed of .5" thick aggregate and epoxy bonded to a hardboard substrate and supported by a non-rusting aluminum frame. The receptacle features two side openings for easy trash disposal and includes rubber feet and a covered ashtray top made of high density plastic. The ashtray top lifts off for easy trash removal. The receptacle comes with a supply of black beauty sand substitute.

The reusable plastic liner is made of black high-density polyethylene.

The receptacle is designed to be portable, allowing for flexibility in placement.

Finish

The aggregate is cast in a durable epoxy resin that remains clear and bright throughout its life.

Color

See website or sales representative for color choices.

Assembly

The receptacle arrives fully assembled for immediate use on site.

Maintenance

Maintenance-free. To clean, spray with a power washer.

**FT8AGAC
ESSENCE RECEPTACLE**
8-gallon bonded aggregate panel
receptacle with covered ashtray top
and plastic liner

Replacement Parts

Black Plastic Liner **R-FT8PLR**

Accessories

Hold Down Kit **PANELHLD**

Black Beauty Sand Replacement:

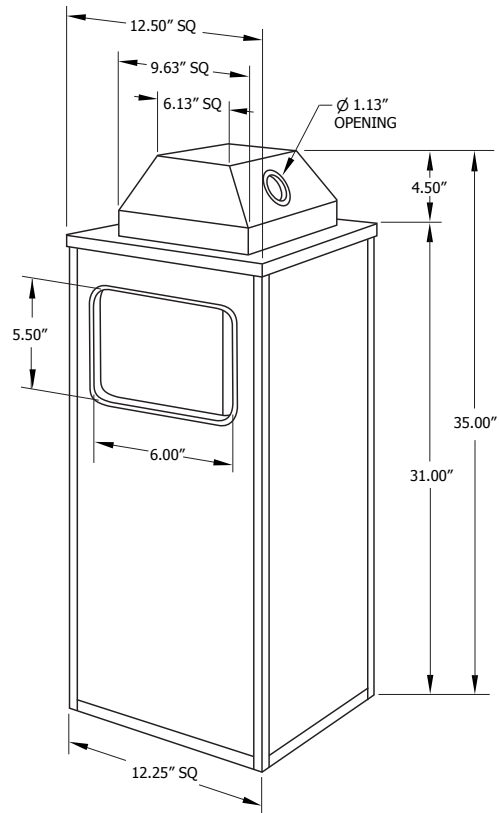
5 lb bag **SAND5**

10 lb bag **SAND10**

25 lb bag **SAND25**

50 lb bag **SAND50**

Ash Sifter 5" diameter **SIFTER**



Shipping Information

Unit Wt.	Unit Shipping Wt. UPS	Unit Shipping Wt. Truck (3+ Units)	Unit Ship Size w/Pallet	Max Units per Pallet	Pallet Wt.	Total No. Pkgs	Shipping Class
60 lbs	71 lbs/unit	71 lbs/unit	6 cu. ft.	N/A	N/A	1	125